

SIGNATURE WALL HUNG PAN WITH SPALET

Kit Code: SIGWALLHUNGSPA

AS3140-3W20400T Pan

AS7SS1-0100510R0 Seat

Recommended use

Domestic, hotel and commercial

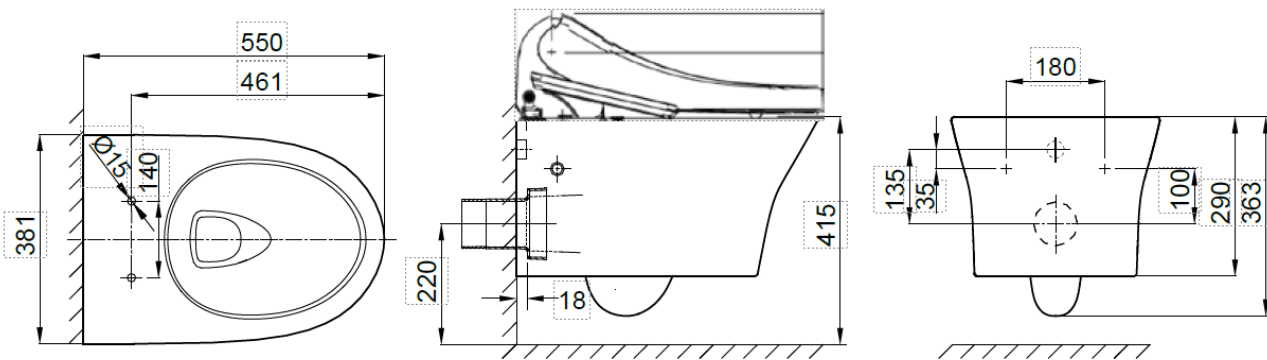
KEY SPECIFICATIONS

- Finish: White
- Material: Pan: Vitreous China,
- Inlet valve pressure rating: 500kPa
- Rim configuration: Hygiene Rim
- Technologies: Double vortex flushing, Aqua Ceramic, ComfortClean
- P trap set out: 220mm recommended
- Toilet seat: Soft close quick release seat
- Seat functions: Adjustable seat & water temperature, adjustable dryer temperature, dual nozzle, one touch power saver



WARRANTY

- Domestic use - 10 years
- Spare parts & labour - 12 months



MONACO

Monaco Customer Call Centre: +64 9 415 6000

sales@monacocorp.co.nz

www.monacocorp.co.nz

Disclaimer: Products in this specification manual must by regulation be installed by licensed and registered trade people. The manufacturer/distributor reserves the right to vary specifications or delete models from their range without prior notification. Dimensions are nominal measurements only. Dimensions and set-outs listed are correct at time of publication however the manufacturer/distributor takes no responsibility for printing errors.
Published 11/11/24

