

SIGNATURE WALL HUNG PAN WITH CYRSTASLEEK SEAT

Kit Code: SIGWALLHUNGCYRS

CCAS3140-3W20400F0 pan
CL6155M-6D seat

Recommended use
Domestic, hotel and commercial

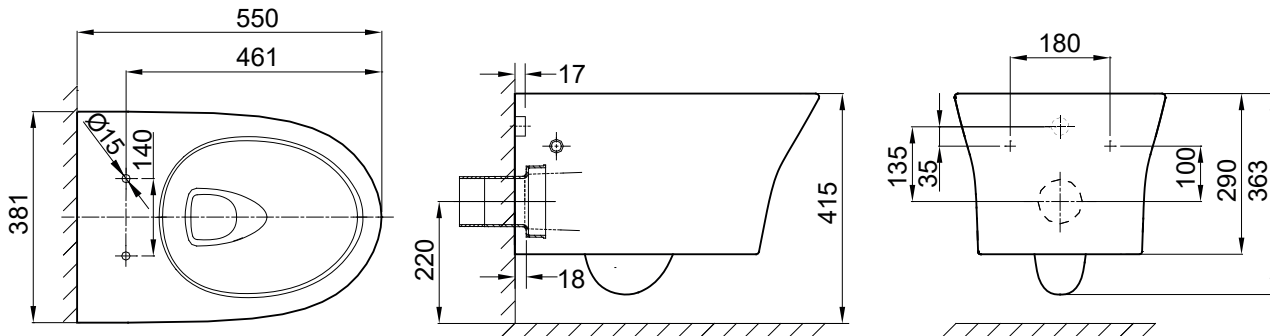
KEY SPECIFICATIONS

- Finish: White
- Material: Pan: Vitreous China, Seat: Crystasleek
- Inlet valve pressure rating: 500kPa
- Outlet type: P trap only
- Rim configuration: Hygiene Rim
- Technologies: Double vortex flushing, Aqua Ceramic, ComfortClean
- P trap set out: 220mm max
- Pan fixing: Fixed to wall using solid cavity wall bracket (supplied)
- Toilet seat: Soft close quick release seat



WARRANTY

- Domestic use - 10 years
- Spare parts & labour - 12 months



MONACO

Monaco Customer Call Centre: +64 9 415 6000
sales@monacocorp.co.nz
www.monacocorp.co.nz

Disclaimer: Products in this specification manual must by regulation be installed by licensed and registered trade people. The manufacturer/distributor reserves the right to vary specifications or delete models from their range without prior notification. Dimensions are nominal measurements only. Dimensions and set-outs listed are correct at time of publication however the manufacturer/distributor takes no responsibility for printing errors.
Published 11/11/24

