

SIGNATURE BACK TO WALL PAN WITH CYRSTASLEEK SEAT

Kit Code: SIGBTWCRYSTA

CCAS3141-3W20411 pan

CL6155M-6D seat

Recommended use Domestic,
hotel and commercial

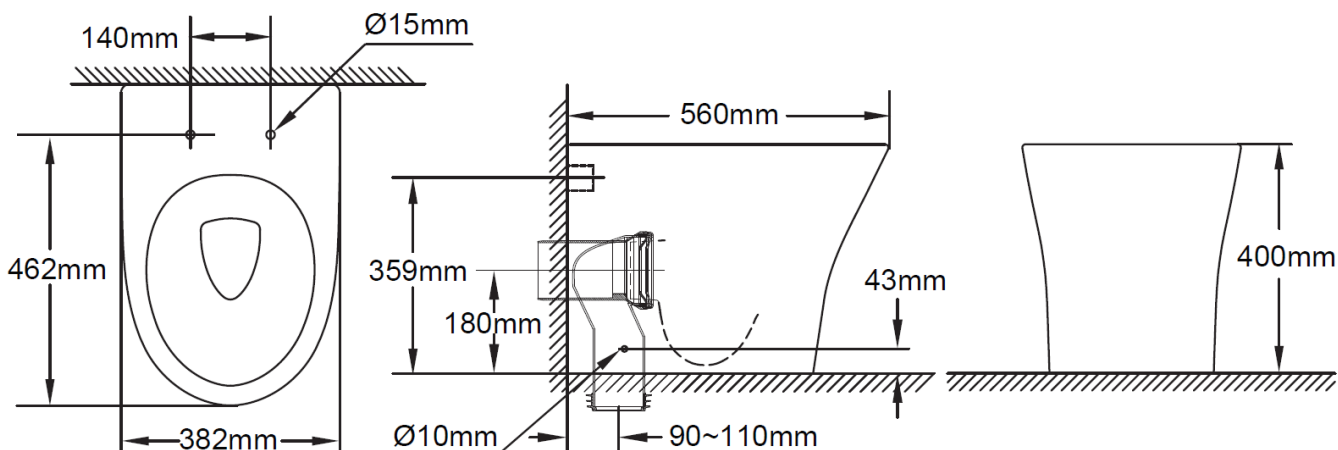
KEY SPECIFICATIONS

- Finish: White
- Material: Pan: Vitreous China, Seat: Crystasleek
- Inlet valve pressure rating: 500kPa
- Outlet type: Universal S & P, P trap (converts to S trap using plastic S bend provided)
- Rim configuration: Hygiene Rim
- Technologies: Double vortex flushing, Aqua Ceramic, ComfortClean
- S trap set out: 90-110mm
- P trap set out: 180mm
- Toilet seat: Soft close quick release seat



WARRANTY

- Domestic use - 10 years
- Spare parts & labour - 12 months



MONACO

Monaco Customer Call Centre: +64 9 415 6000

sales@monacocorp.co.nz

www.monacocorp.co.nz

Disclaimer: Products in this specification manual must by regulation be installed by licensed and registered trade people. The manufacturer/distributor reserves the right to vary specifications or delete models from their range without prior notification. Dimensions are nominal measurements only. Dimensions and set-outs listed are correct at time of publication however the manufacturer/distributor takes no responsibility for printing errors.
Published 11/11/24

