

CCAS1511-1010410F0

Wall basin

Recommended use

Domestic, hotel and commercial

KEY SPECIFICATIONS

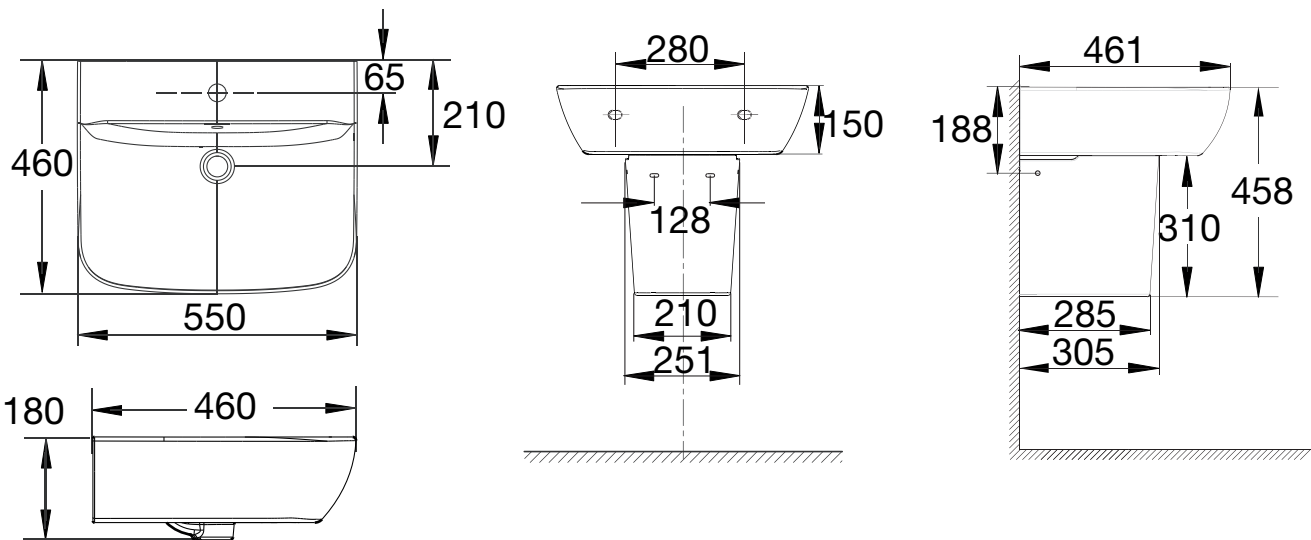
- Finish: White
- Integral overflow: Yes
- Fixing: Bolted to wall using fixing bolts (supplied)
- Tap hole: 1TH
- Plug and waste: Suits 32 x 40mm overflow waste (not included)
- Template: Supplied with product
- Warranty: 10 years

FEATURES

- Material: Vitreous china
- Overall dimensions (mm): L550 x W460 x H150



Note: Semi pedestal is an optional extra.



SHIPPING WEIGHT

- Gross Weight: 16kg (basin)
- 8kgs semi pedestal (optional extra)