

CCASF421-100411F0

600mm Wall Hung 1TH

Recommended use

Domestic, hotel and commercial

KEY SPECIFICATIONS

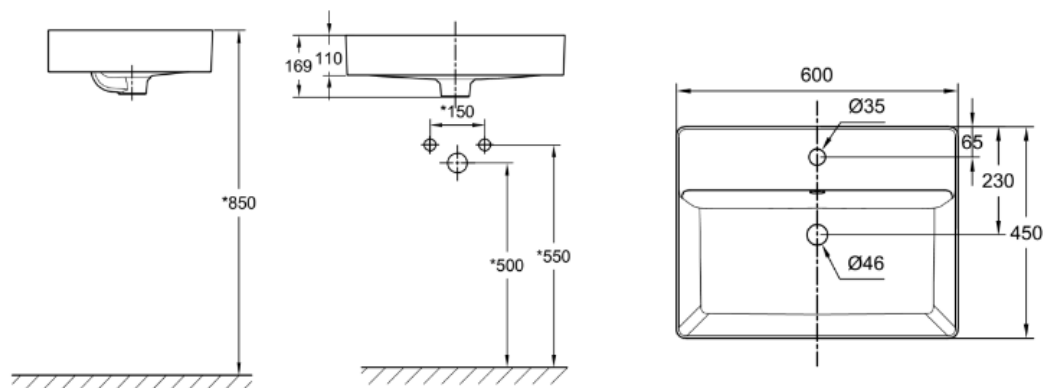
- Finish: White
- Integral overflow: Yes
- Fixing: Secured to wall
- Tap hole: 1TH
- Plug and waste: Drainage with ceramic cover (included)
- Template: Supplied with product
- Warranty: 10 years

FEATURES

- Material: Fine Fire Clay
- Overall dimensions (mm): L600xW450xH110mm
- Design: Thin edge



DIMENSIONAL DRAWING



SHIPPING WEIGHT

- Gross Weight: 12kg