

CCASF420-100411F0

600mm Counter Top 1TH

Recommended use

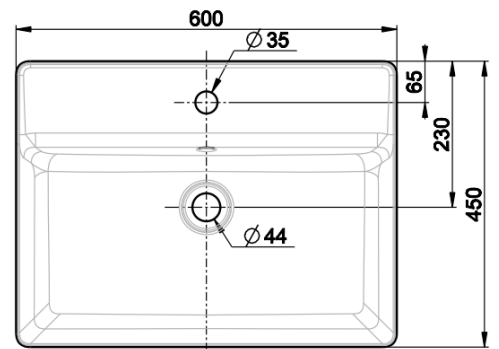
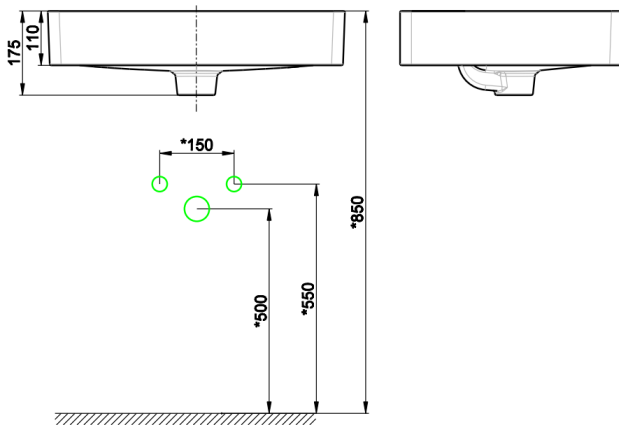
Domestic, hotel and commercial

KEY SPECIFICATIONS

- Finish: White
- Integral overflow: Yes
- Fixing: Sealed to bench top
- Tap hole: 1TH
- Plug and waste: Drainage with ceramic cover (included)
- Template: Supplied with product
- Warranty: 10 years

FEATURES

- Material: Fine Fire Clay
- Overall dimensions (mm): L600xW450xH110mm
- Design: Thin edge



SHIPPING WEIGHT

- Gross Weight: 12kg