

CCASF411-100410N0

420mm Vessel

Recommended use

Domestic, hotel and commercial

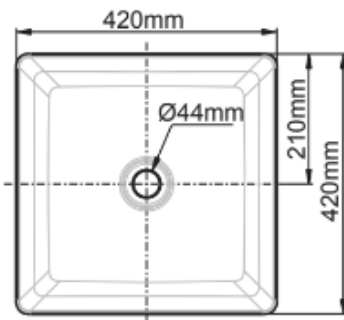
KEY SPECIFICATIONS

- Finish: White
- Integral overflow: No
- Fixing: Sealed to bench top
- Tap hole: NTH
- Plug and waste: Drainage with ceramic cover (included)
- Template: Supplied with product
- Warranty: 10 years



FEATURES

- Material: Fine Fire Clay
- Overall dimensions (mm): L420xW420xH110
- Design: Thin edge



SHIPPING WEIGHT

- Gross Weight: 5kg