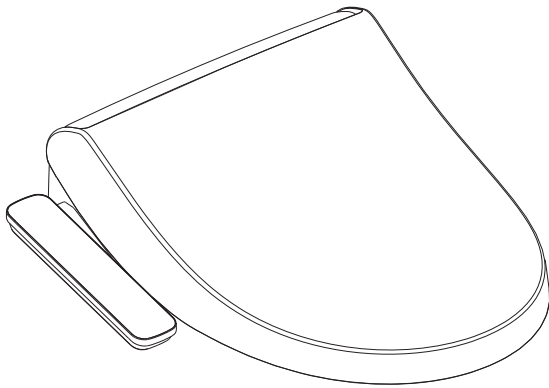


American Standard

Pristine E-bidet

User Manual

CEAS7SS1-0100510R0



- Thank you very much for selecting Pristine eBidet from American Standard. Please read the manual carefully prior to use.
- The pictures in the manual are for reference only.




Contents

SAFEGUARDS CAUTIONS	1
CAUTIONS OF USING.....	5
CAUTIONS BEFORE INSTALLATION	6
COMPONENTS NAME	8
Installation	10
■ Installation of E-bidet.....	10
■ Installation of E-bidet water supply hose.....	11
■ Installation of body water supply hose (body side).....	12
■ Power on confirmation.....	15
■ Test run.....	15
OPERATION INSTRUCTION	16
Preparation and Confirmation before Using	16
Basic Operation	18
■ Deodorization function is activated when the unit is occupied (auto deodorization).....	18
■ Shower ► Oscillating	19
■ Spray strength adjustment	19
■ Nozzle position	19
■ Bidet ► Oscillating	19
■ Massage.....	19
■ Warm air dryer.....	20
■ Stop (Power ON/OFF).....	20
Other Function Settings.....	21
■ To prevent low temperature burn.....	21
■ Resume to factory settings.....	21
■ Power Saving	22
■ Seat temp. 3 → 5 modes expansion function.....	23
■ Warm water temp. 3 → 5 modes expansion function	23
■ Spray strength 3 → 5 modes expansion function.....	23
Information to the User	24
CLEANING AND CARE	25
Daily Cleaning and Care	25
■ Cleaning and care of seat, lid and protective cases (plastic parts)	25
■ Cleaning and Care of Nozzle	25
Cleaning after Removing Lid	26
Cleaning of Blocked Part of E-bidet	27
Cleaning of Nozzle Shutter	28
Cleaning Maintenance of Deodorization Filter	29
When Cleaning Function Decreases	30
GENERAL TROUBLE SHOOTING	31
ANTI-BACTERIAL.....	33
SPECIFICATIONS.....	34

SAFEGUARDS CAUTIONS

Please read the following "safeguard cautions" carefully before using. Failure to observe the following safeguard cautions may result in serious accidents. Please strictly observe the following content, for your safety. Please leave these instructions and warranty info with the product

Explanation of terms and marks

WARNING	...	Improper use of the product could lead to death or injury
CAUTION	...	Improper use of the product could lead to minor injury or property damage.
	...	"WARNING" and "CAUTION". Please read carefully and observe strictly.
	...	The "Prohibited" mark indicates "please do not do it!".
	...	The "observe at all times" mark indicates "please do it!".

**WARNING**

- NEVER stand on the seat, or use the lid as a support.

Please use the new water supply hose attached to product.

- Ensure that the cord is not curled, twisted, folded and is free for obstructions to eliminate risk of damage.
- Do not use damaged power plug and loosened plug seat. If the power cord is broken, please contact your distributor.
- Do not use power supply other than AC 240v 15amp
- Do not use extension leads.
- Never install the product in a place with high humidity or contact with water. Maintain ventilation inside the room for air to circulate.
- Do not dismantle, repair or remodel the product. Only qualified service personnel should service this product.
- Do not plug or unplug the power plug with wet hands.
- Please ensure that the internal parts of eBidet, control panel, and the external power are not flushed with water or detergent.





WARNING

	<ul style="list-style-type: none"> ● In case of any problems (abnormal noises, abnormal smell, smoking, high temperature, crack) with the main unit of eBidet, plug or power cord, please immediately unplug the power cord and contact your distributor ● If water leaks from the valve, please unplug the power cord and turn off the supply valve. ● Please regularly dust the surface of the power plug. Unplug before cleaning and only use a dry, soft cloth ● Please hold the plug not the cord when disconnecting from the power source ● Properly plug the power plug into the power socket. ● If sitting on the product for a long time, please set the seat temperature in "OFF" mode to avoid low-temperature burn. ● When the following people use the product, carer should set the seat temperature and warm air dryer temperature in "OFF" mode. (Children, the elderly and patients, people who cannot adjust the temperature by themselves, people with sensitive skin, people who are taking certain medications or others with the function of hypnosis, drunk people and people who are extremely fatigued) A low temperature burn may occur when using temperatures in other modes rather than the "OFF" mode for long periods of time. ● If using the warm air dryer for a long time, please set dryer temperature at "LOW" mode.
	<ul style="list-style-type: none"> ● Ensure that power supply is grounded.
	<ul style="list-style-type: none"> ● In order to avoid the possible danger caused by reset of thermal cut-off in error, the product cannot be controlled by external switch, such as the plug seat with timer.



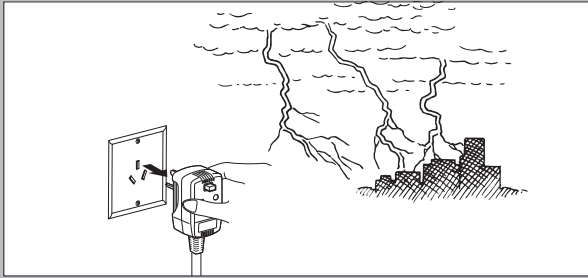
CAUTION

	<ul style="list-style-type: none"> ● When cleaning the plastic parts of the product, do not use unsuitable detergents (toilet cleaner, apartment cleaner, decolorizer, benzene, paint thinner, scouring powder, abrasive cleaners, alcohol, etc.). ● Do not stand or sit on the seat lid. ● When removing the filter, water supply valve must be turned off . ● When installing the filter, please tighten it properly without leaving any gap. ● Keep any flammable materials, including cigarette ends and ashtrays away from the product. ● Do not curve, twist or damage the water supply hose. ● Do not use the water supply valve to lean on, or step on the water supply valve. ● Do not put your finger into the cover of the deodorization carbon block. ● Do not lean your back against the lid.
	<ul style="list-style-type: none"> ● Power plug must be unplugged before cleaning the product. ● When the following people use the product, carer should take good care of them to prevent them from falling down. (Children, the elderly, people who cannot sit down and stand up by themselves.) ● Water supply hose must be connected to running water and filter screen should be installed. Filter screen should be free of dirt and debris. ● Drain the water from unit and unplug the power if it is not going to be used for an extended period of time.

CAUTIONS OF USING

■ Please strictly follow the following cautions to prevent any malfunction.

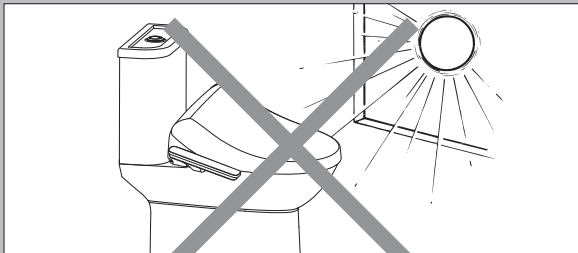
In case of thunder and lightning nearby, please disconnect the power plug from the plug seat.



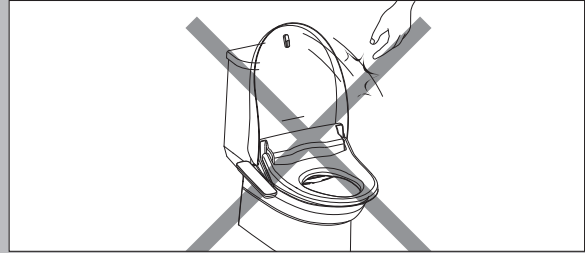
Keep heater or warmer, etc. away from the E-bidet.



Avoid direct sunlight.



Do not roughly open and close the seat and toilet lid.



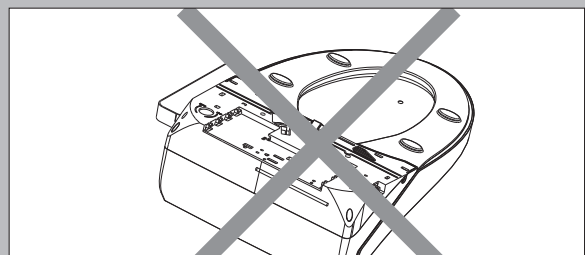
Do not put your finger into the cover of dryer or nozzle.

Do not block the outlet of warm air.



To avoid damaging the surface please only ever clean the seat and lid with a soft, damp cloth.

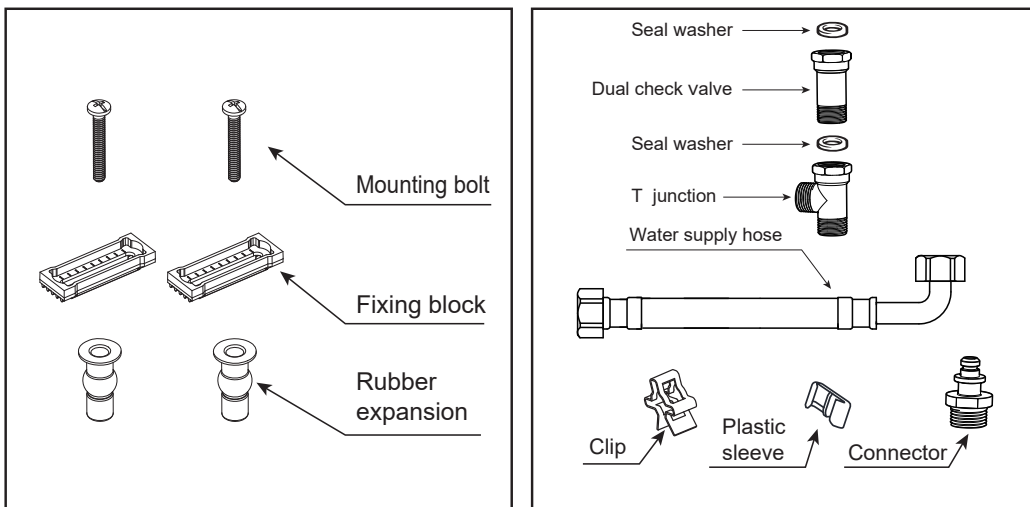
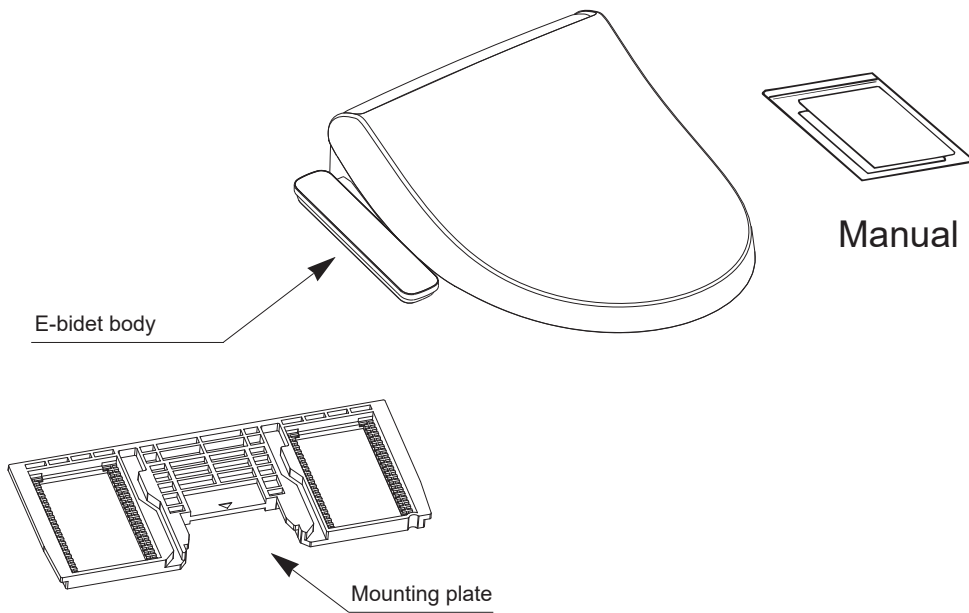
Do not connect the product to the power when it is on an uneven surface.



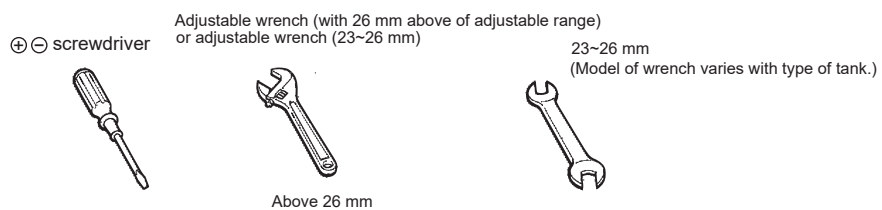
CAUTIONS BEFORE INSTALLATION

CAUTIONS BEFORE INSTALLATION

■ Packing Material List

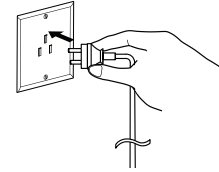


■ Installation Tools for Preparation



■ Power Supply and Water Supply

- Please use power socket with 15 amp AC 220-240V, 50 Hz and Min. power 650W.



Power cord length is 1.0 m.

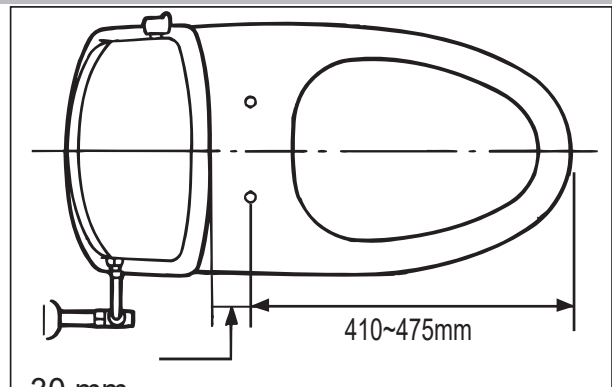
- As per the below diagram the power supply should sit 300mm from finished floor and appropriate distance from water supply.
- Ensure that socket earth wire is connected correctly, otherwise, contact electrical installation company to perform work.

※Do NOT plug into power until installation is complete!

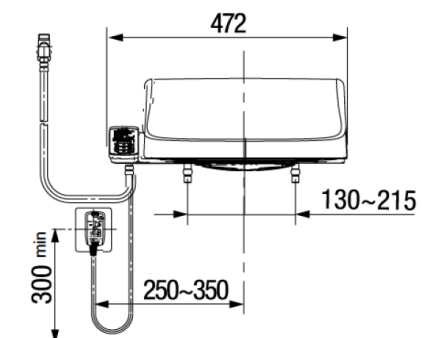
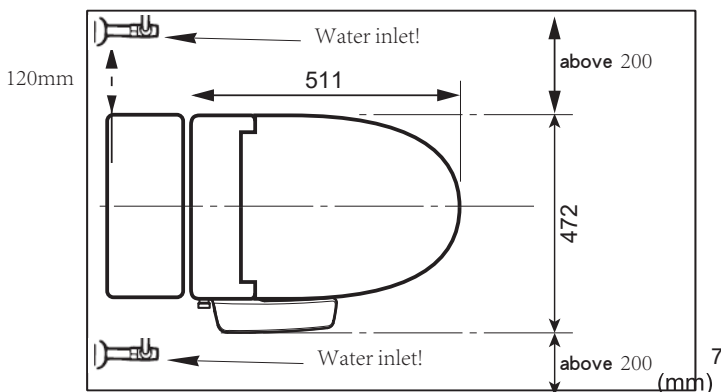
※Risk of electric shock if power supply not grounded. Power supply grounded here indicates that the ground wire of distributor uses copper wire with a diameter of 1.5 mm or more when ground resistance is less than 100 Ω.

- Only to be used with clean potable water.
- Water pressure supplied should be maintained between 0.06 MPa (0.6 kgf/cm²) and 0.75 MPa (7.5 kgf/cm²).
- Note: It is a requirement of Australian regulators that the water supply to this product must be protected by a high hazard backflow prevention device, such as a reduced pressure zone device (RPZD). As per AS/NZS 3500.1, the RPZD shall be maintained in working order and tested for operational functions at intervals not exceeding 12 months.
- Any electrical work connected to this product must be installed by qualified personnel in accordance with AS/NZS 3000

■ Adaptive Toilet

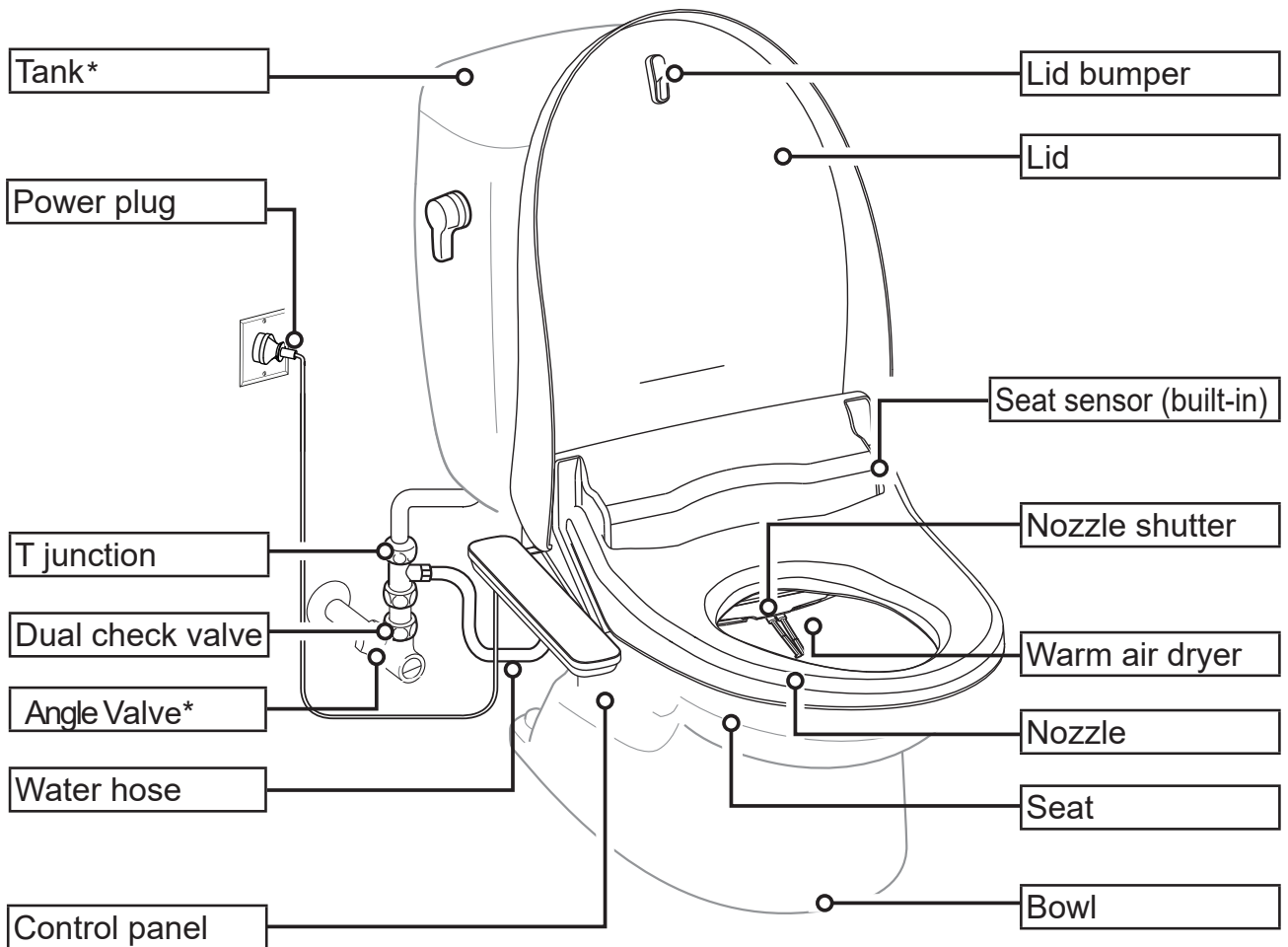


■ Installation Space Range



COMPONENTS NAME

■ Integral Diagram

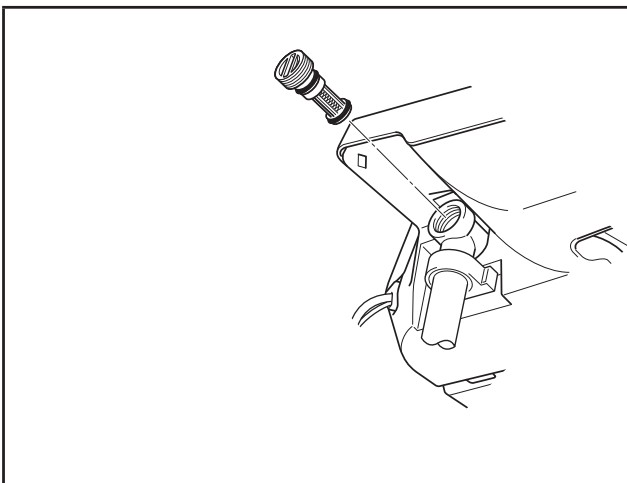


*Not included

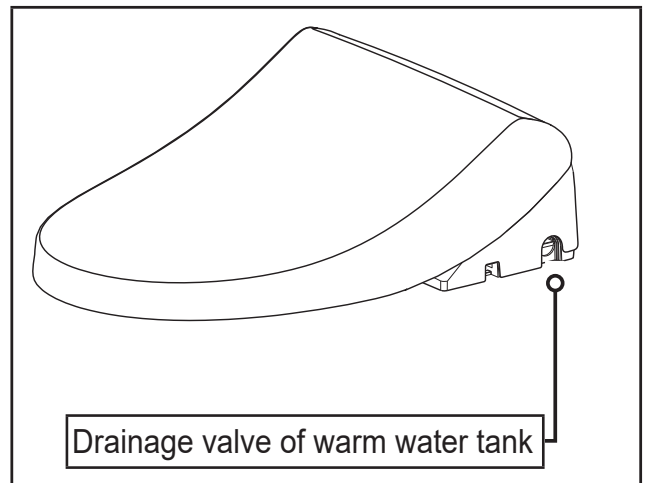
Note:

- Use 750mm 1/2" X 90 hose supplied when valve is installed on right side.
- Plumber to install shorter hose when valve is on left side.

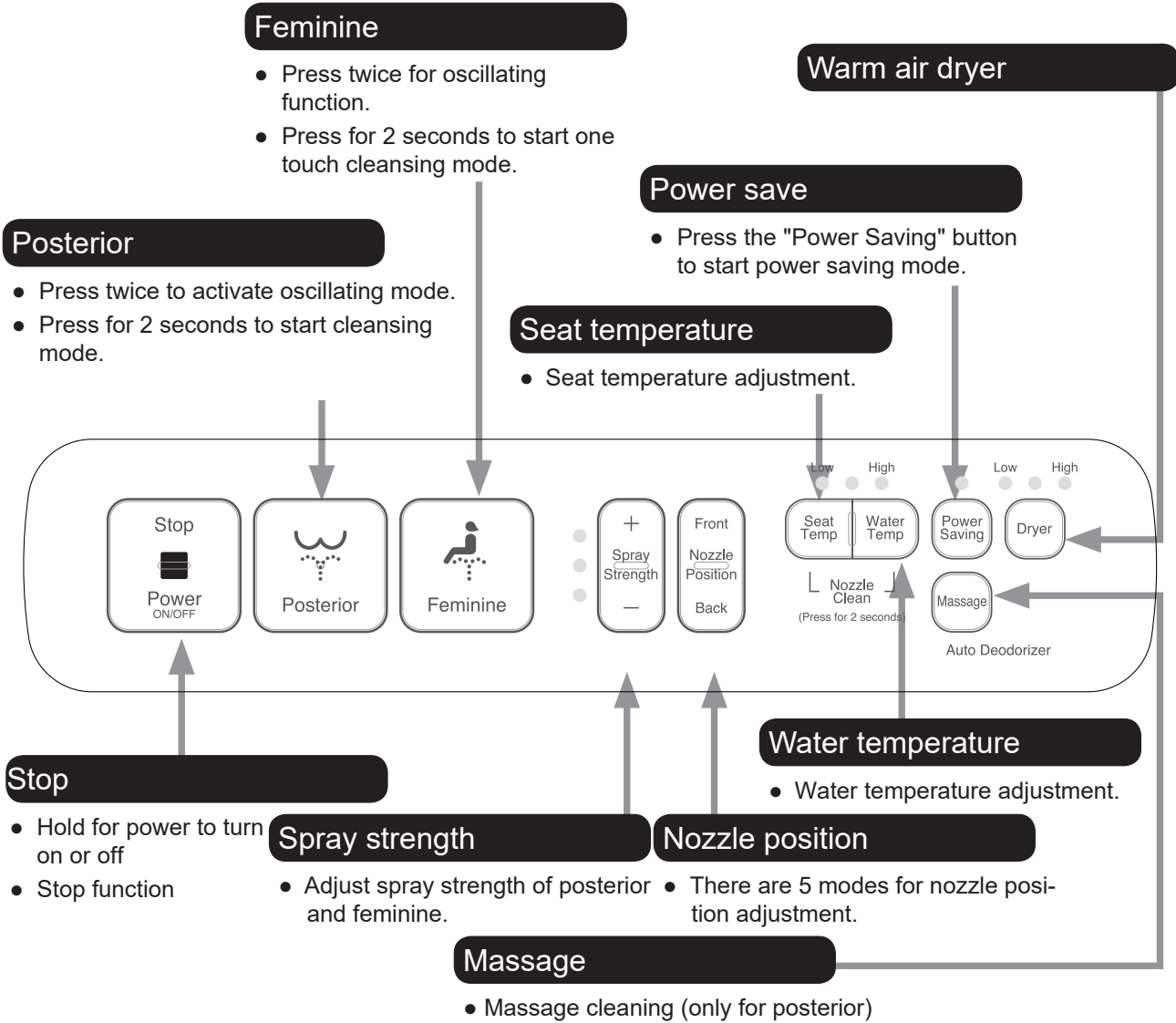
■ Strainer



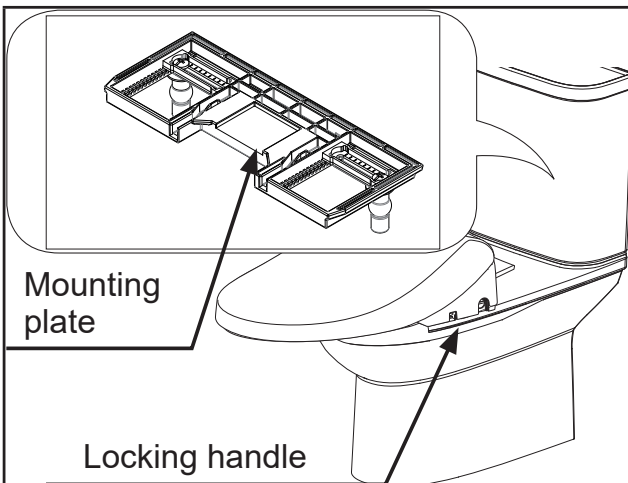
■ Drainage valve of warm water tank



■ Operation

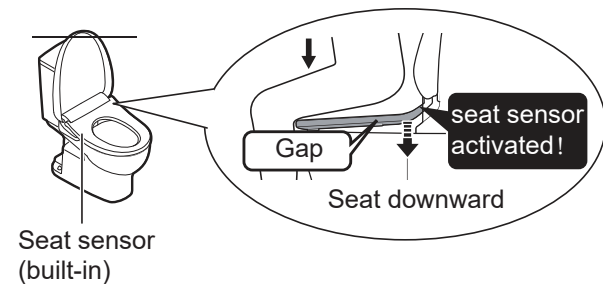


■ Mounting plate & locking handle



■ Seat sensor

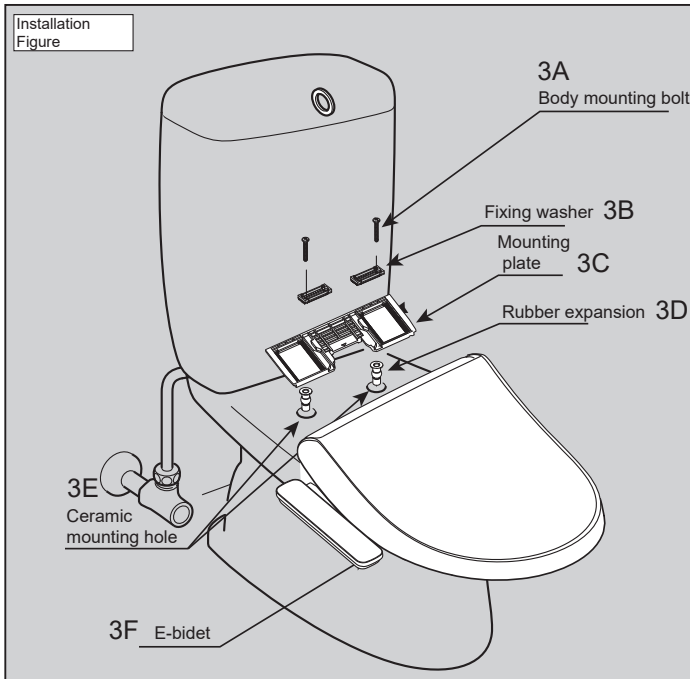
- Functions will only work when seat sensor has been activated. A "click" sound will be heard.



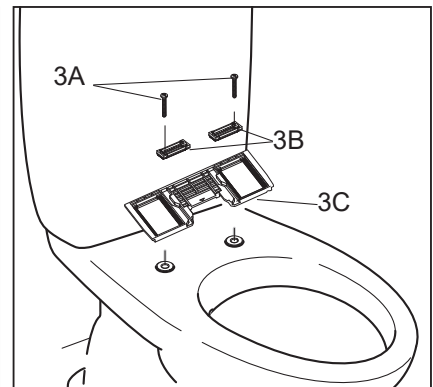
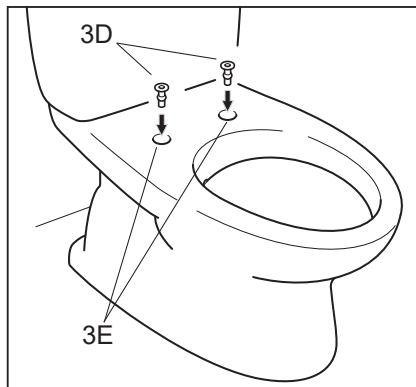
Installation

Use 750mm 1/2" X 90 hose supplied when valve is installed on right side.
Plumber to install shorter hose when valve is on left side.

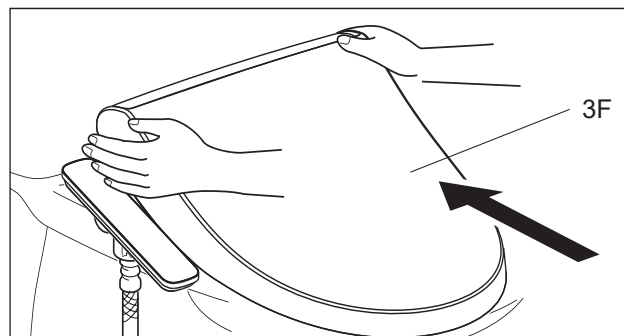
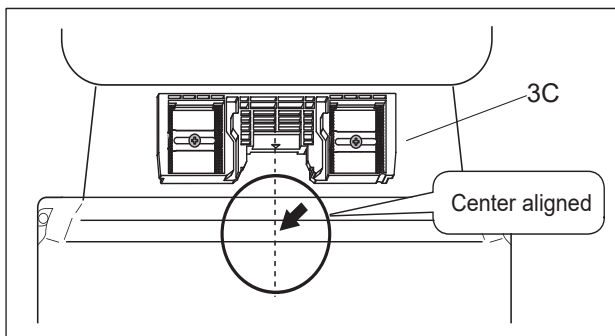
■ Installation of E-bidet



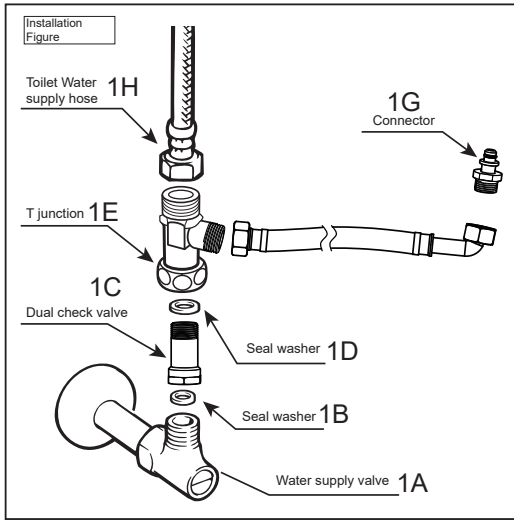
1. Install 3C to bowl.
 - (1) Insert 3D into 3E of bowl.
 - (2) Pre-secure 3C to bowl with 3A after inserting 3B into 3C.



2. Install the E-bidet
 - (1) Put 3F in front of 3C with 3F and 3C center aligned.
 - (2) Push body backward slowly until it reaches the bottom with a slight "click" sound heard.

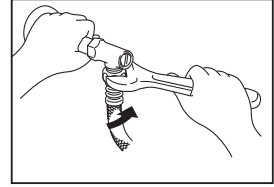


■ Installation of E-bidet water supply hose



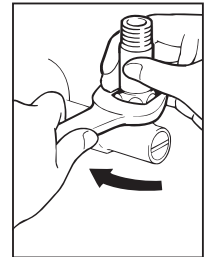
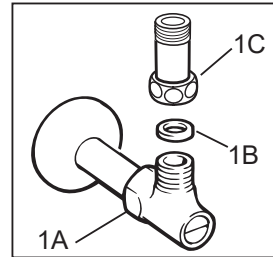
1. Remove 1H after 1A is closed.

※ There will be small amount of water leakage during removal, so put a piece of cloth, etc. under it.



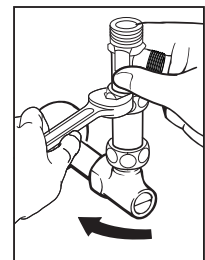
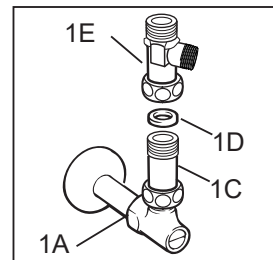
2. Install 1C to 1A.

(It is recommended that tightening torque should be 10~15N.m (100~150kgf.cm))

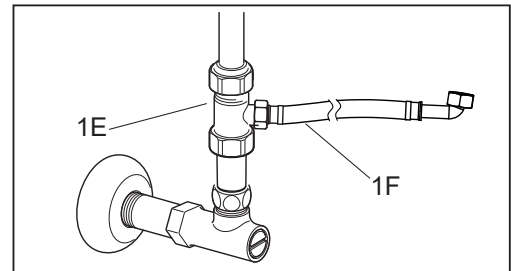


3. Install 1E to 1C.

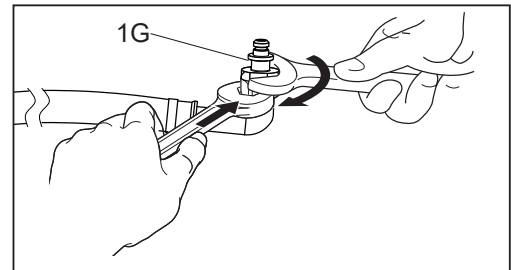
(It is recommended that tightening torque should be 10~15N.m (100~150kgf.cm))



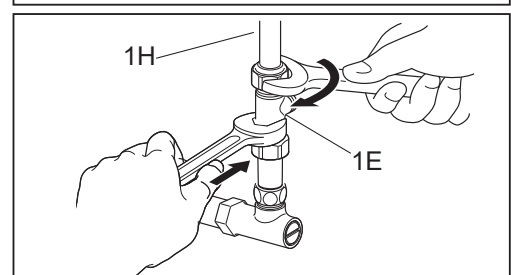
4. Install 1F to 1E.



5. Install 1G to 1F.

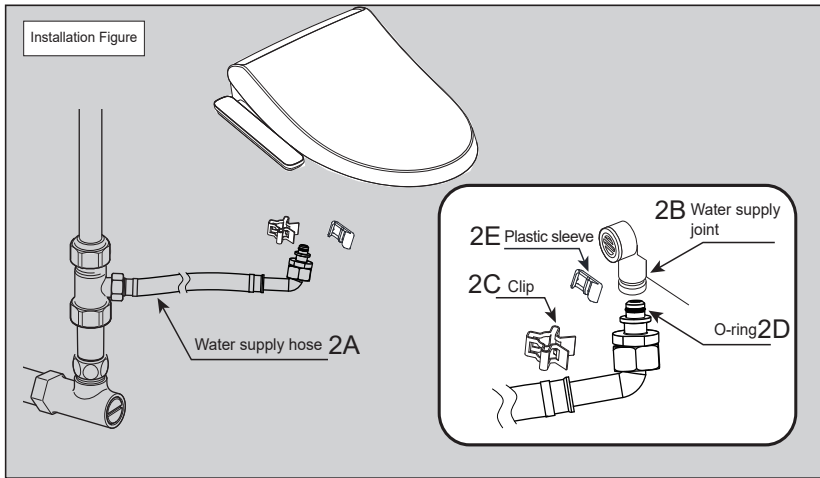


6. Install 1H to 1E.

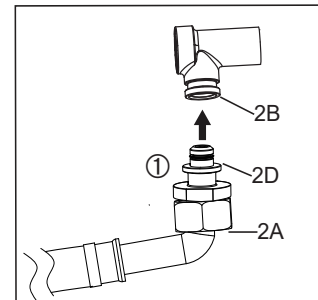


Note: Do not twist or deform flexi tail (1H).

■ Installation of body water supply hose (body side)

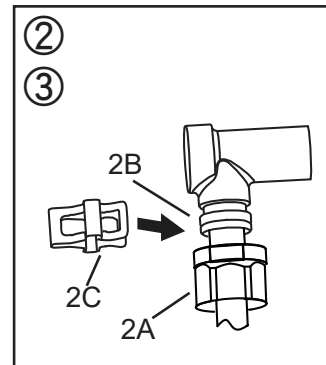


1. Insert 2A into 2B.



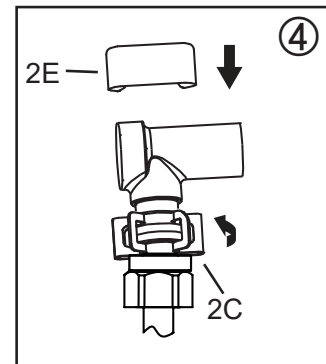
2. Clamp 2C into 2A and 2B.

※ The side of clip 2C with round corner faces downward.



3. Rotate 2C by 90°.

※ After clamping 2C, fully rotate to confirm it is clamped into position.

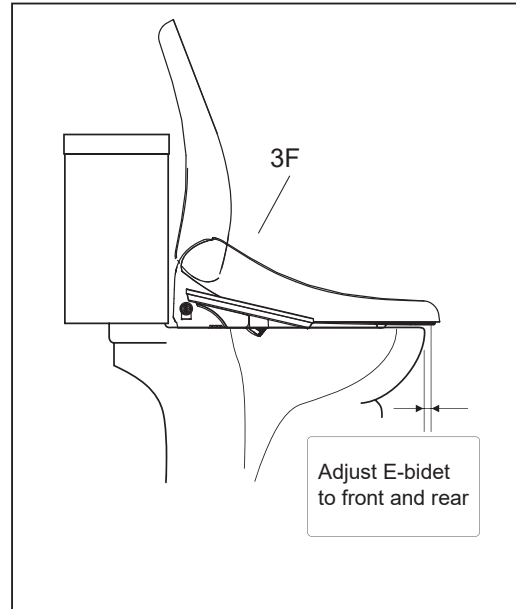


4. Clamp 2E into 2C from top to bottom.

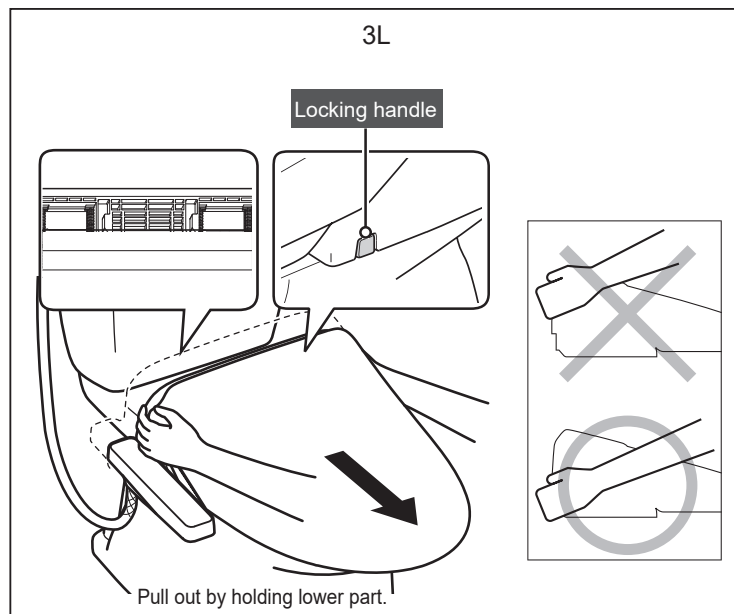
※ When 2E is clamped into position, a "click" sound is heard.

4. Adjust the installing position of E-bidet to front, rear, left and right

- (1) Adjust the installing position to front, rear, left and right, so that 3F edge matches with ceramic edge curve of bowl.

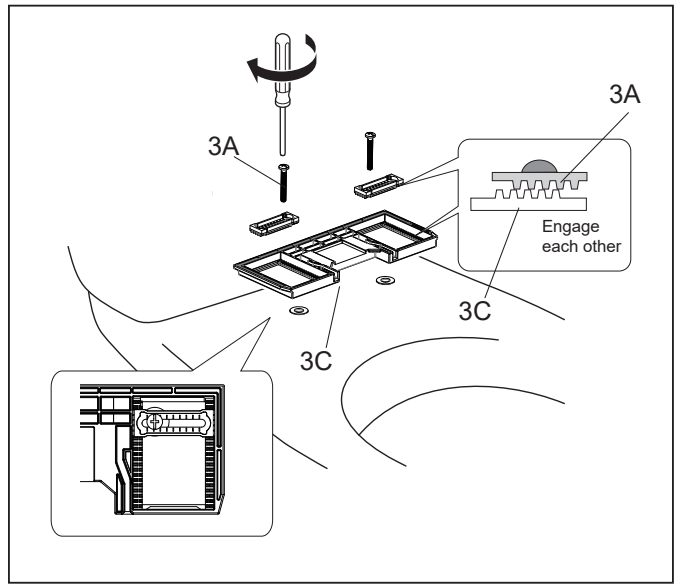


- (2) Press locking handle (3L) on right side, slide 3F forward to remove it.

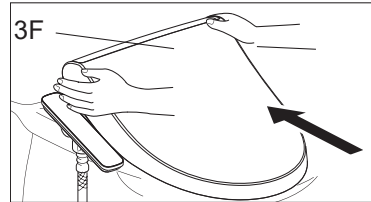


5. Fix E-bidet securely

- (1) Adjust 3C forward and backward and then tighten 3A.
 ※ Reference torque: 1.0~3.0 N.m (about 10-30 kgf.cm).
- (2) Place 3F at front of 3C to make 3F and 3C align center.



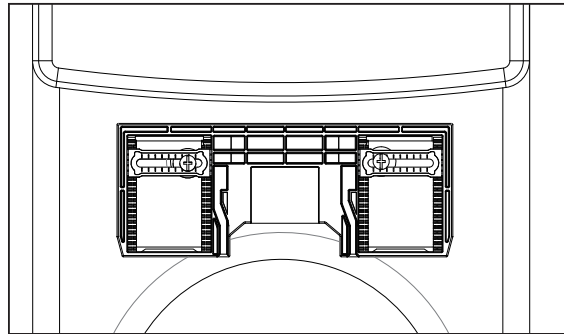
- (3) Slowly push 3F backward until it reaches bottom and a slight "click" is heard.
 ※ Slightly shake 3F to front, rear, left and right to make sure the body is fixed securely.



Pay attention to followings during installation:

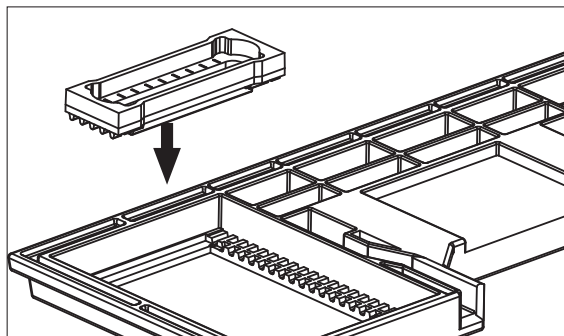
- (1) Please note the front and rear directions of mounting plate.

Make concavity side face the front of bowl.



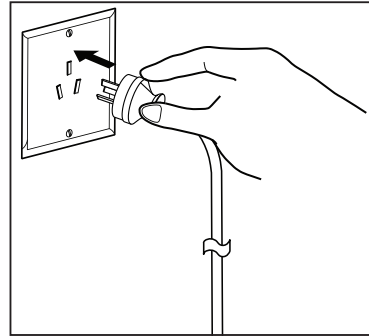
- (2) Please note the installation direction of small sliding block.

Make the teeth side of small sliding block face fixing plate.

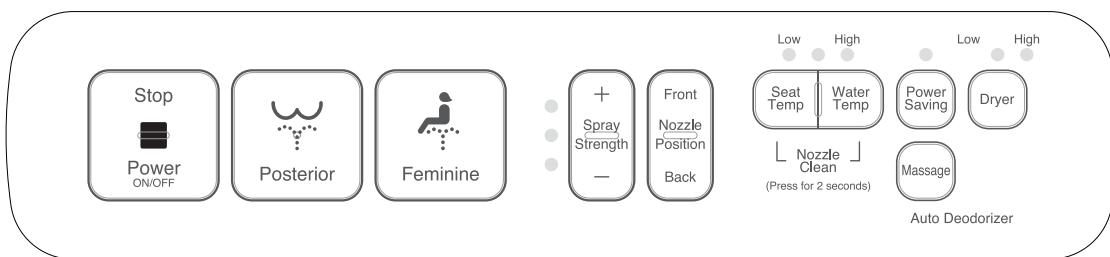


■ Power on confirmation

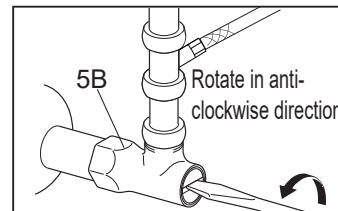
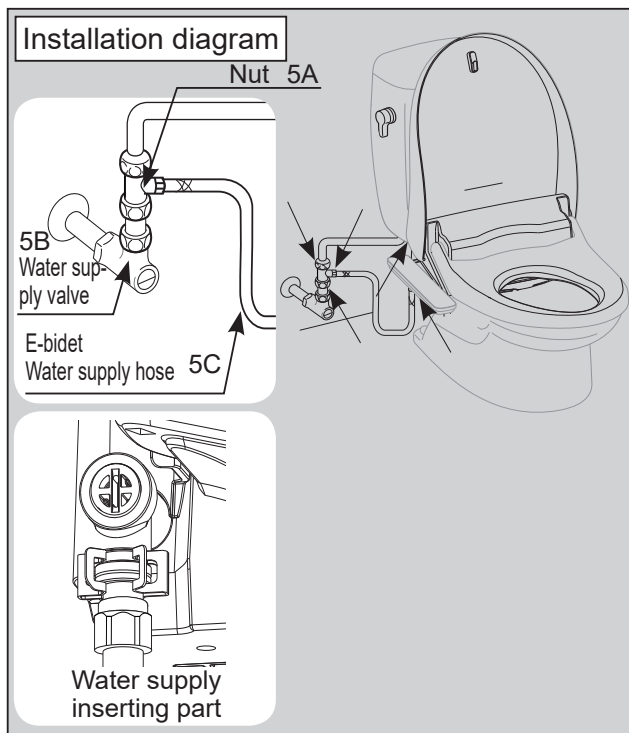
1. Connect power plug to power supply.
2. Confirm that the power is on.



- (1) Confirm water temperature and seat temperature indicators on side control panel turn on.
- (2) To prevent dry burning of warm water tank, before the test run is done, press Power button to turn off all indicators!

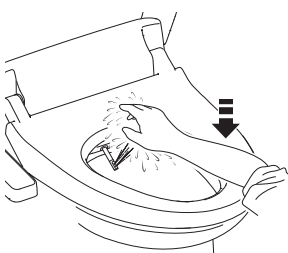


■ Test run



1. Turn on angle valve (5B) to open water supply to eBidet.

2. Operate functions to confirm there is no water leakage from each part.
3. After water tank is filled with water, confirm water supply shuts off.
4. Confirm if shower and bidet function operate normally:
 - 1) Press the seat with your hand to enter sitting state.
 - 2) Respectively press Posterior and Feminine buttons to confirm water flows from the nozzle smoothly.
 - 3) Press Stop button.
5. Confirm temperature adjustment function operates normally.
6. Seat takes approximately 15 minutes to heat.



OPERATION INSTRUCTION

Preparation and Confirmation before Using

If this is your first time using the eBidet, the following steps must be confirmed.

※ Methods of turning on/off the water supply valve written in this guide may be different from the actual circumstances.

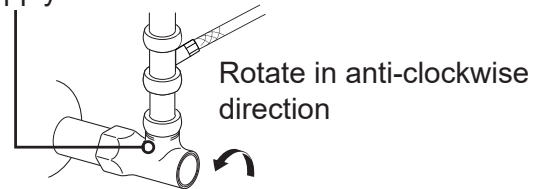
STEP

1

Confirm whether the water supply valve has been turned on.

※ If water supply valve is off, please rotate in anti-clockwise direction to turn it on.

Water supply valve



STEP

2

Connect the power plug to plug seat.

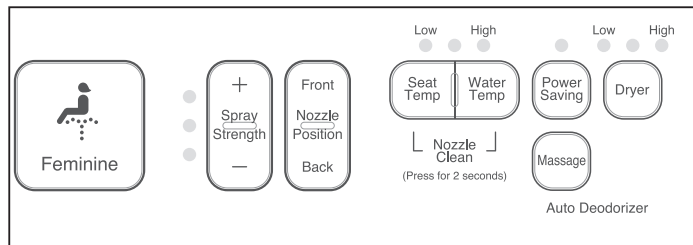
Connect power plug to plug seat of AC 230 V.



STEP

3

Power



(1) Check if the indicators (green) on control panel turn on.

※ Press Power button for 6 seconds to shut down the eBidet, press Power button for 2 seconds to turn on the power.

※ Check the indicators of water temp. and seat temp. turn on or not to judge power on/off.

(2) Confirm water temp., seat temp. and dryer indicators turn on or not.

**STEP****4****Testing shower function.**

- (1) Press the seat to enter sitting state (press force is more than 12 N).
- (2) Press Posterior button.
- (3) Cover the front of nozzle with left hand after nozzle is extended to block water flow.

If this is your first time to use the product, it will take 1 - 2 minutes to inject water to warm water tank.

Water cannot be heated to set temperature immediately, and warm water may spray out after about 5 minutes.

- (4) Press STOP button or move your right hand from the seat sensor zone to stop shower.

Please read the operation method, and confirm other functions.

※ Seat sensor is available to sense if there is anyone sitting on the toilet seat. When press force is more than 12 N, shower, bidet, deodorization or dryer function will work.

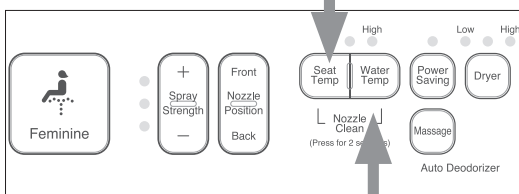
STEP**5****Adjust seat temperature.**

- (1) Press Seat Temp. button to adjust seat temperature.
- (2) The indicator will be switched each time the button is pressed, achieving appropriate temperature.

- Seat temperature takes 15 minutes to reach selected heat when heating function is selected.

- Each time the button is pressed, the indicator will be switched between "Off (indicator not turn on)", "Low", "Mid", and "High" state.

- Initial setting is "Mid" when you first time using.

**STEP****6****Adjust warm water temperature.**

- (1) Press Water Temp. button to adjust water temperature.
- (2) The indicator will be switched each time the button is pressed, achieving appropriate temperature.

※ Wash water temperature cannot be immediately heated to warm state, it takes 10-15 minutes to reach desired heat.

※ Each time the button is pressed, the indicator will be switched between "Off (indicator not turn on)", "Low", "Mid", and "High" state.

※ Initial setting is "Mid" when you first time using.

Basic Operation

Seat sensor activates to sense if there is anyone sitting on the toilet seat. Without sitting on it, shower, bidet, deodorization or dryer function will not work.

■ Deodorization function is activated when the unit is occupied (auto deodorization)

(1) Auto deodorization is activated when people sit down.

※ Deodorization fan is working under the "auto mode" and remove the odor in the bowl.



(2) Stop deodorization

※ It automatically stops after user leaves.

※ If sitting on the seat for longer than 1 minute, auto deodorization will continue for another 60 seconds.

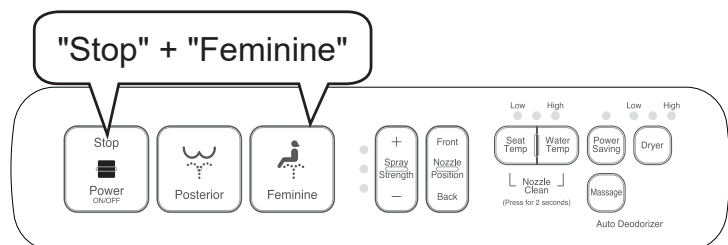


Shut off auto deodorization

Press and hold both Stop and Feminine buttons for more than 2 seconds to shut off auto deodorization.

After setting, all indicators will flash once.

※ To restart auto deodorization, also press and hold both Stop and Feminine buttons for more than 2 seconds. After setting, all indicators will flash once.



■ Shower ▶ Oscillating

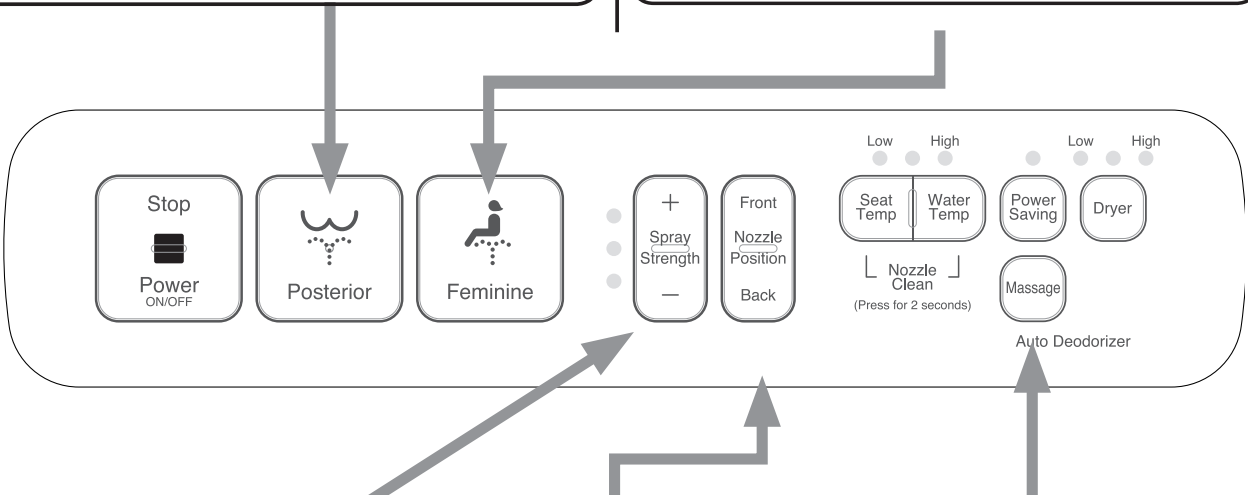
Press Posterior button.

Water sprays out from front of nozzle to clean posterior.
To activate the oscillating setting press for a second time. To stop the oscillation press for a third time.
Press "Stop" button to stop.

■ Bidet ▶ Oscillating

Press Feminine button.

To activate feminine setting press button once. Press again will enter front and rear oscillating status, and the oscillating range will be expanded. Press for the third time will start wider range clean.
Press "Stop" button to stop.



■ Spray strength adjustment

When it is necessary to change the spray strength, press "+" or "-" button to adjust.

The indicator will change once every time the button is pressed, and you can set to a proper spray strength.

■ Massage

Press "Massage" button to start massage function under shower function working.

With massage function working, press "Massage" button again to stop massage function.

※ Massage function is not available for bidet.

■ Nozzle position

Press "Front" or "Rear" button of Nozzle Position.

There are 5 modes for nozzle position adjustment.

- The Shower and Bidet have auto stop after 2 minutes function.
- Please sit fully on the seat.
- There is an auto clean function will activate between each use.
- Please note: Before and after the shower, water may flow from the nozzle. This phenomenon is normal and is not a product fault.

■ Warm air dryer

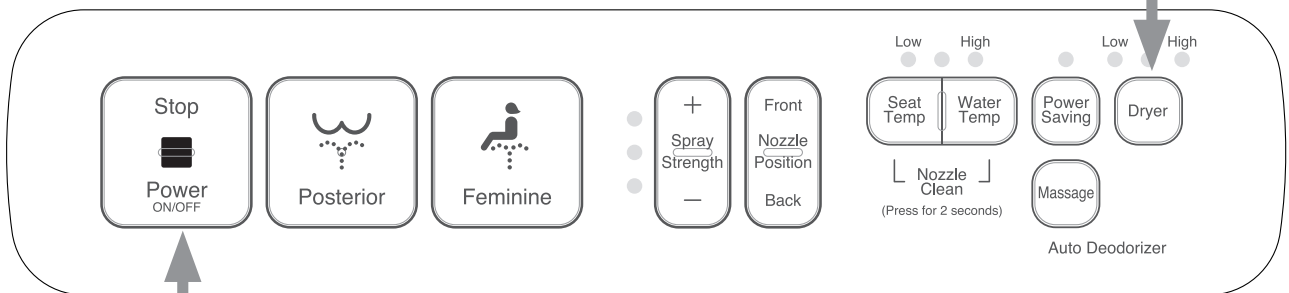
1. Press "Dryer" button.

Press once to activate dryer

2. Press "Dryer" button again to adjust temperature.

The indicator will change every time the button is pressed allowing you to set the temperature.

※ Each time the button is pressed, the temperature will switch in the order of "Off", "Low", "Mid" and "High".



3. Press Stop button to stop.

※ Warm air dryer has auto stop after 4 minutes function.

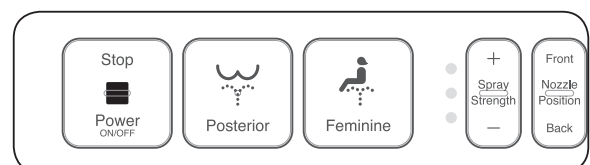
■ Stop (Power ON/OFF)

1. Stopping: press "Stop" button can stop "shower", "bidet" or "dryer" function.

※ Auto stop after 2 minutes function is available for shower and bidet.

2. Power ON/OFF:

① Shut down: with power ON, press "Power ON/OFF" button for more than 6 seconds will shut down the product.



② Starting: with power OFF, press "Power ON/OFF" button can restart the power supply.

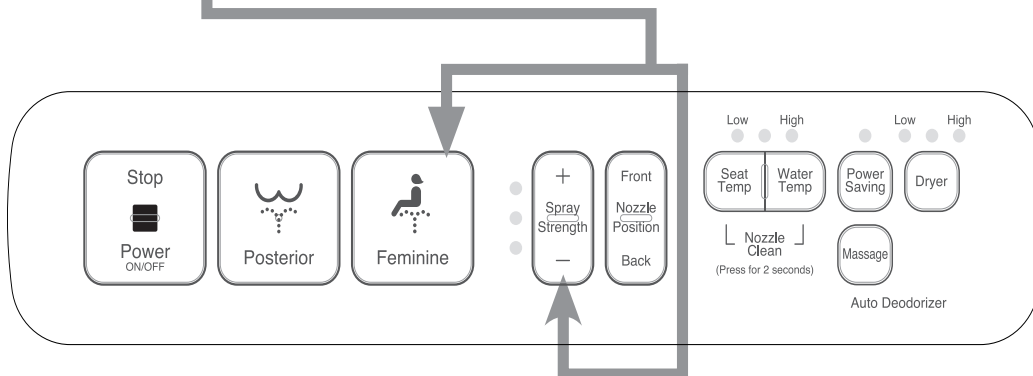
Other Function Settings

■ Resume to factory settings

Press and hold Feminine button + "+" and "-" button of Spray Strength simultaneously for more than 2 seconds.

■ Factory settings

Function explanation		Factory settings
Deodorizer	Auto deodorizer	On
Power saving	High Efficiency power saving	Off
Warm water temperature		Mid
Seat temperature		Mid
Auto off of seat heater		Off
Warm air dryer	Starting temperature of warm air	Mid
Spray strength		3 modes
Warm water temperature		3 modes
Seat temperature		3 modes

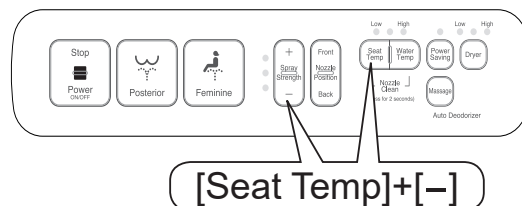


■ To prevent low temperature burn

■ Press and hold "Seat Temp" and "-" buttons for more than 2 seconds (all LEDs will flash).

When the seat is occupied, seat heater turns off automatically. This can effectively prevent low temperature burns.

- ※ Use the same methods to resume to initial setting.
- ※ The function is not available for factory settings.



■ Power Saving

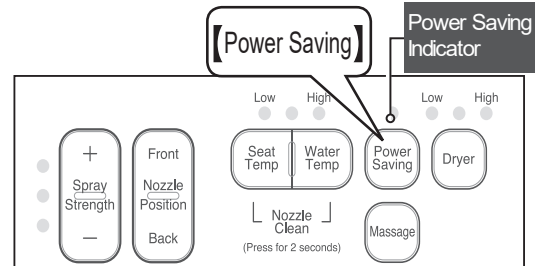
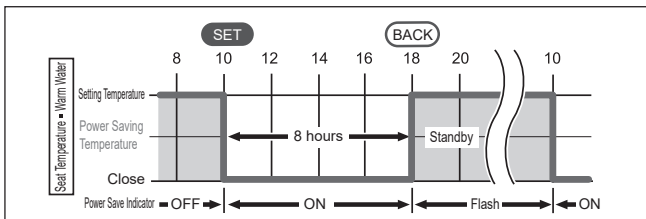
Power saving function is divided into one touch power saving (8 hrs) and high efficiency power saving (always). Using high efficiency power saving and one touch power saving simultaneously, the power saving effect is more significant. The initial setting is "close".

One Touch Power Saving (8 hrs)

If the product is not used during night time etc., press POWER SAVING button to cut off power of both warm water and seat heater for up to 8 hours, to reduce power consumption. After 8 hours, warm water temperature and seat temperature resume to the set conditions. The function automatically circulate every 24 hours (in same period of each day).

Press [Power Saving] button.

※ The Power Saving indicator on the operation section is on.



※ After 8 hours, it is in "standby" condition, power saving indicator switch to flash.

(Reference)

● When power off or unplugging the power plug, one touch power saving reverts to initial setting.

How to release one touch power saving function

Press [Power Saving] button.

※ High Efficiency Power Saving (always)

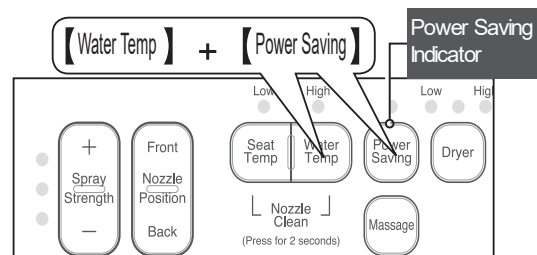
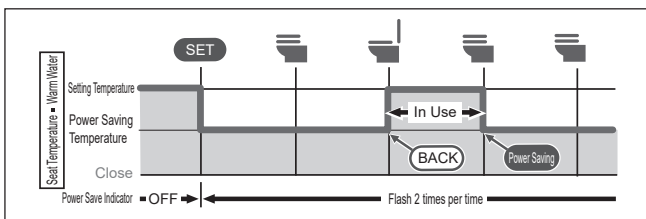
High Efficiency Power Saving (always)

When the product is not in use, it lowers the temperature of warm water and seat to control power consumption.

※ When the product is not in use, it enters power saving mode automatically.

Press [Water Temp] and [Power Saving] button, and continues for 2 seconds or more.

※ Power saving indicator of displayed part flashes.



※ If it uses with one touch power saving together, when one touch power saving is operating (8 hrs), Power Saving indicator on the operation section is on, and when one touch power saving is in standby (16 hrs), Power Saving indicator flashes 2 times for each time.

How to release high efficiency power saving function

Press [Water Temp] and [Power Saving] button, and continues for 2 seconds or more.

※ Power saving indicator of displayed part turns off.

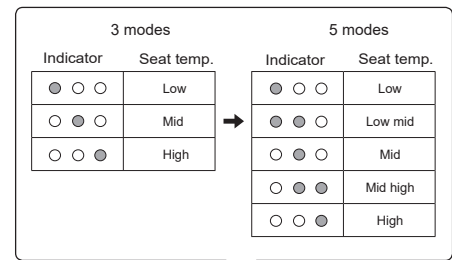
(Reference)

- Due to the temperature of warm water and seat will lower when saving power, you may be feel little cool. Please release power saving mode then.
- When power saving function is not in use, close the lid to conserve power.

■ Seat temp. 3 → 5 modes expansion function

Press "Seat temp." and nozzle position "Front" for 2 seconds or more to adjust seat temperature options from 3 modes to 5 modes.

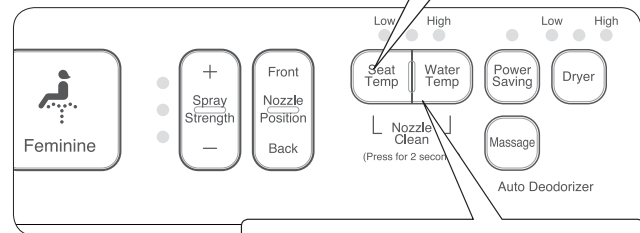
- ※ After setting, all indicators will flash once.
- ※ The "Low" and "Mid" indicator will both light on when seat temperature is in the middle of "Low" and "Mid", while "Mid" and "High" indicator will both light on when seat temperature is in the middle of "Mid" and "High" temperature.



Resume to initial setting

Press "Seat temp." and nozzle position "Front" for 2 seconds or more.

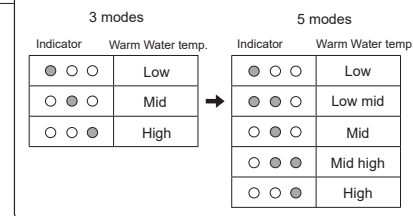
- ※ After setting, all indicators will flash once.



■ Warm water temp. 3 → 5 modes expansion function

Press "Water temp." and nozzle position "Back" for 2 seconds or more to change warm water temperature adjustment from 3 modes to 5 modes.

- ※ After setting, all indicators will flash once.
- ※ The "Low" and "Mid" indicator will both light on when water temperature is in the middle of "Low" and "Mid", while "Mid" and "High" indicator will both light on when water temperature is in the middle of "Mid" and "High" temperature.



Resume to initial setting

Press "Water temp." and nozzle position "Front" for 2s or above.

- ※ After setting, all indicators will flash once.

■ Spray strength 3 → 5 modes expansion function

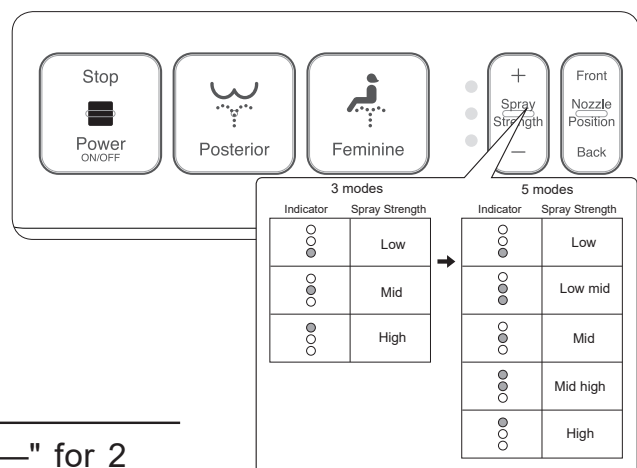
Press "Water temp." and spray strength adjustment "-" for 2 seconds or more can switch spray strength from 3 modes to 5 modes.

- ※ After setting, all indicators will flash once.
- ※ The "Low" and "Mid" indicator will both light on when water temperature is in the middle of "Low" and "Mid", while "Mid" and "High" indicator will both light on when water temperature is in the middle of "Mid" and "High" temperature.

Resume to initial setting

Press "Water temp." and spray strength "-" for 2 seconds or more.

- ※ After setting, all indicators will flash once.



Information to the User

Information to the User

Water comes out from nozzles

When the seat is occupied or the cleaning functions are activated, there may be water coming out from nozzles. Such phenomenon is the design of the product and not a product fault.



※ Except as described as above, if the water continuously comes out, please turn off water supply valve, unplug the power plug from the plug seat, and contact distributor to raise an aftersales claim.

Moisture condensation

Due to different temperatures or humidity between room temperature and surface of seat and lid, there may be water drops (moisture condensation) on the surface of seat and lid. In order to prevent moisture condensation, please maintain the ventilation of the toilet as much as possible. In case of moisture condensation, please dry with soft cloth.

※ Water of moisture condensation may leave trace on the floor or damage the floor.

Tips for power saving

The following operation can effectively save energy.

- When seat is not is use keep lid closed
- Ensure temperature is suitable
- When not in use, use available power saving function as much as possible.
- Disconnect the product when the product is not going to be used for an extended period of time.

※ Please take anti-freezing methods when freezing may occurred.

Abnormal smell in warm air at the very beginning

When the product is used from the very beginning, there may be slight odour when dry function activates. This will dissipate after a while.

Seat sensor is available

If the seat is not occupied and "Posterior" or "Feminine" button is pressed, the function will not activate because seat sensor will detect that the seat is not in use. As long as the seat is not occupied, shower, bidet and warm air dry will not be activated.

Incorrect sitting posture or if a child is using the seat, the sensor may not operate, at this time, please adjust seated posture according to seat sensor.

※ In case of power off when the seat is occupied, functions may not work when the power is restored. In such circumstance, please leave the seat and then sit down again in approximately 1~2 seconds.

CLEANING AND CARE

Daily Cleaning and Care

■ Cleaning and care of seat, lid and protective cases (plastic parts)

● Use a soft damp cloth to clean and always clean marks off as soon as possible to prevent stains from forming.

※ It is very easy to remove E-bidet, and it is recommended that the eBidet is removed when cleaning behind seat and lid.

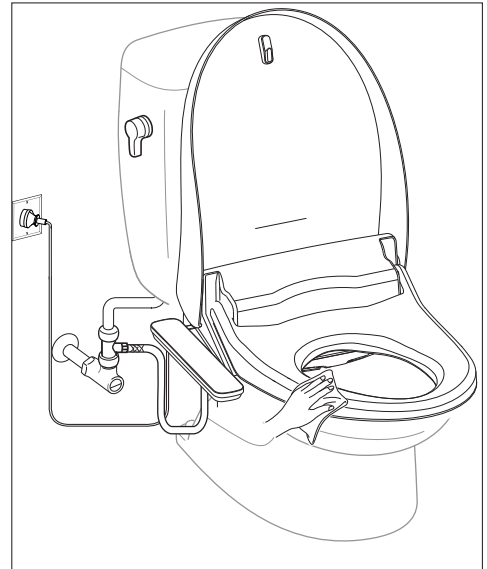
※ Please ensure that eBidet is powered off when cleaning seat.

※ Clean the nozzle under power on condition.

Caution

Do not use harsh chemicals when cleaning seat as this may cause discolouration.

Only use a soft, damp cloth to clean product.



CLEANING AND CARE

■ Cleaning and Care of Nozzle

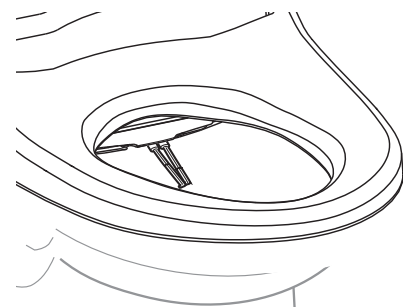
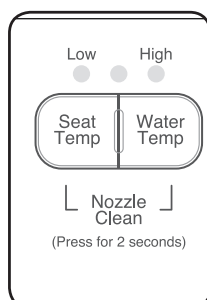
Automatic clean:

Turn seat on and apply weight to seat to activate seat sensor. Press "Seat Temp" + "Water Temp" buttons simultaneously for 2 seconds to start self cleaning

Manual clean:

Power on and leave seat condition, press "Seat Temp" + "Water Temp" buttons simultaneously for 2 seconds, nozzle shutter will open, please pull out the nozzle and use sponge to clean the nozzle if there is any dirt. After cleaning, press "Stop" button retract the nozzle.

※ Don't force pull or bend nozzle.

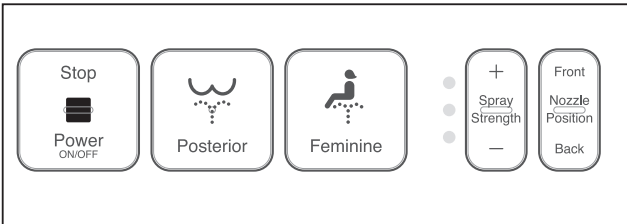


Cleaning after Removing Lid

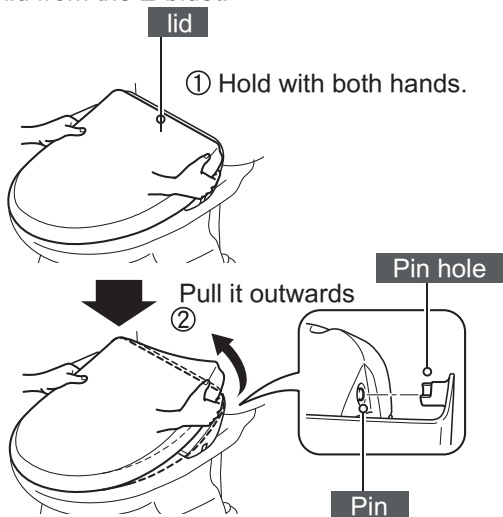
The lid can be removed, so that the lid and the internal parts can be cleaned.

Remove lid

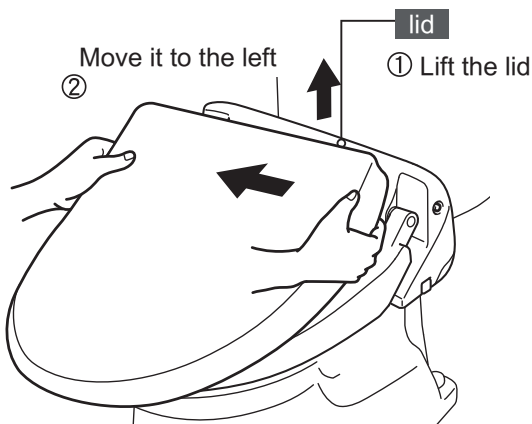
- 1 Press Power button for 6 seconds to turn off completely.



- 2 Hold the lid with both hands and pull it outwards on the right side of the unit so as to separate the lid from the E-bidet.

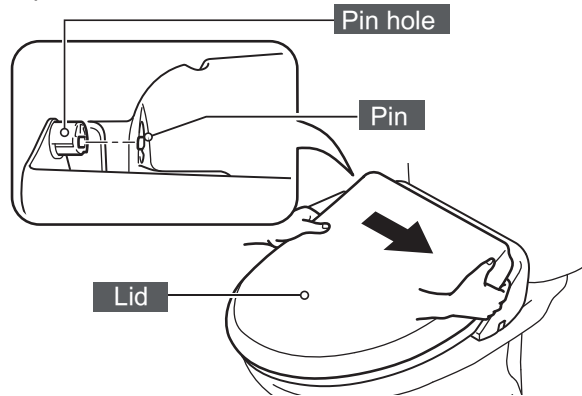


- 3 Lift the lid and move it to the left and then remove it.

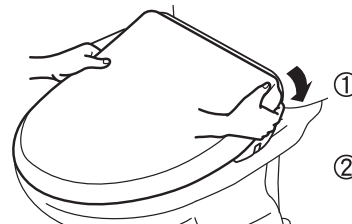


Install lid

- 1 Align the pin hole on the left of the lid with the pin on the left of the unit, and then insert.



- 2 Pull the pin hole on the right of the cover lid outwards, and then install the lid after alignment.



- 3 Press "POWER ON/OFF" button for more than 1s to connect to the power and confirm that all the indicators are on.



[CAUTION]

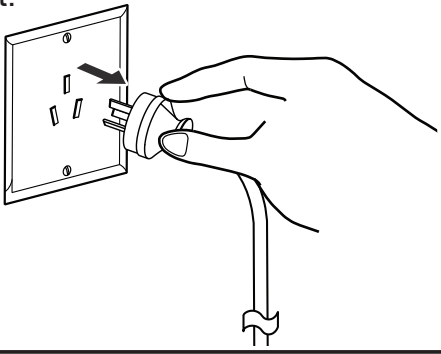
- Do not apply too much force to the lid.
- Do not lift the lid when the lid is removing.
- Do not use product when lid is removed.

Cleaning of Blocked Part of E-bidet

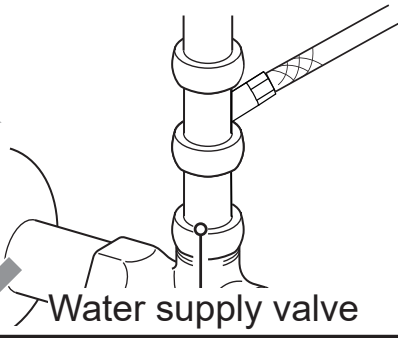
The product can be removed, so that the bowl and the internal parts of the product can be cleaned.

1. Removal Method of eBidet

1. Unplug the power plug from the plug seat.

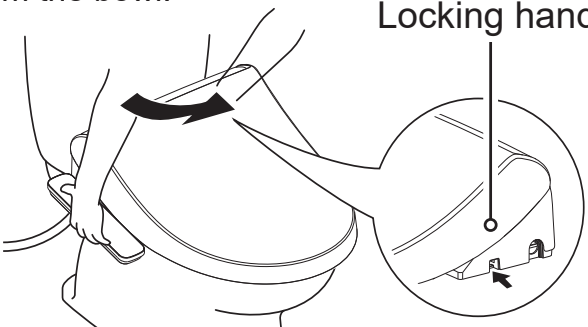


2. Turn off water supply valve and stop water supplying.



Water supply valve

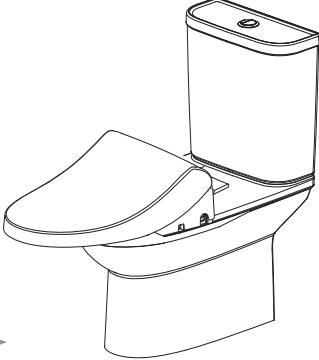
3. ① Push and hold the locking handle at the right hand side of the E-bidet.
② Slightly lift the product and slide out to remove it from the bowl.



Locking handle

※ When removing, don't force or pull the seat and lid.

4. Gently put the product at the side of bowl.

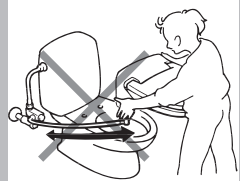


CLEANING AND CARE

Caution

1. Make sure unplug the power plug from the plug seat.
2. Do not strain or pull the power cord or water supply hose of the E-bidet
3. When removing the E-bidet for cleaning, it must be treated gently.

- Do not strain or pull



Cleaning of Nozzle Shutter

- After applying the neutral detergent on a soft cloth or sponge, clean it with cold water or warm water.

[CAUTION]

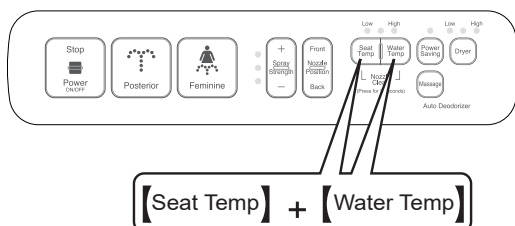
- Do not clean it with a dry cloth or toilet paper.
- Do not clean it with a toothbrush.



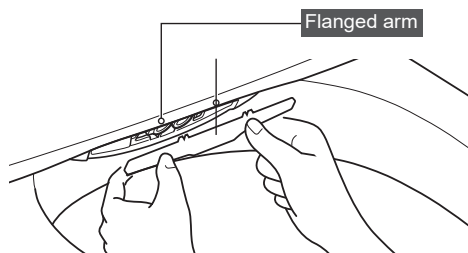
Nozzle shutter can be removed for cleaning.

Removal of Nozzle Shutter

- 1 Open the lid and toilet seat.
- 2 Press **【Seat Temp】** + **【Water Temp】** , extend the nozzle.
 ※ Nozzle sticks out, nozzle shutter opens.
 Nozzle sprays water for 3 seconds.



- 3 Pull the nozzle shutter up with your hands to remove it.

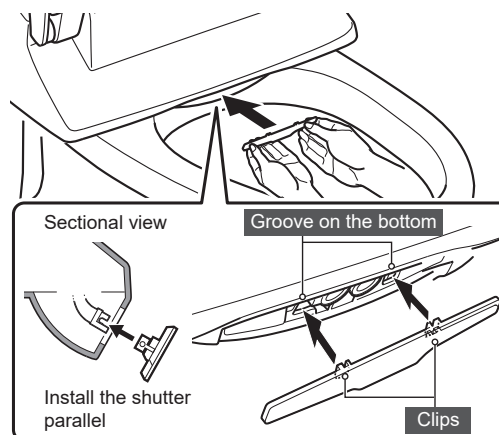


※ If difficult to remove, please push the flanged arm and remove the shutter.

- 4 Press the [STOP] key, nozzle will retract back.
- 5 Clean the removed nozzle shutter.

Installation of Nozzle Shutter

- 1 When nozzle does not come out, press the clips (2 locations) of nozzle shutter into the groove on the bottom.
 ※ When nozzle comes out, press STOP key to retract it back.



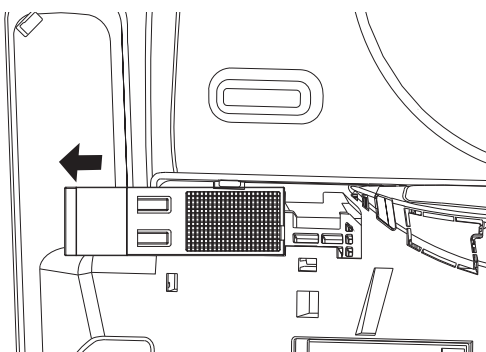
[CAUTION]

- Press inward until a "click" sound is heard.
- Pay attention to the orientation when installing , the sliding surface faces outward.
- Do not apply excessive force.

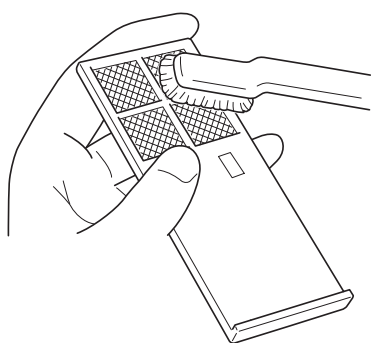
Cleaning Maintenance of Deodorization Filter

Cleaning Maintenance of Deodorization Filter

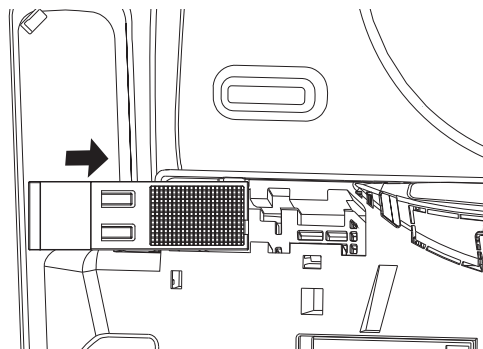
- 1** Unplug the power plug from the plug seat.
- 2** Remove the E-bidet from bowl.
- 3** Remove the filter from installation port of deodorization filter on left side of body undersurface.



- 4** Remove the dirt from filter with a toothbrush etc.



- 5** Install the filter on base plate of product.



- 6** Install the E-bidet on bowl.
- 7** Insert the power plug into the plug seat.

■ When using it again
Be sure to do preparation and confirmation before using.

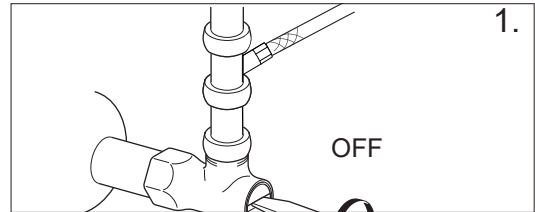
When Cleaning Function Decreases

When using the product for a long period, or the spray strength decreases, please clean the strainers of product in following order.

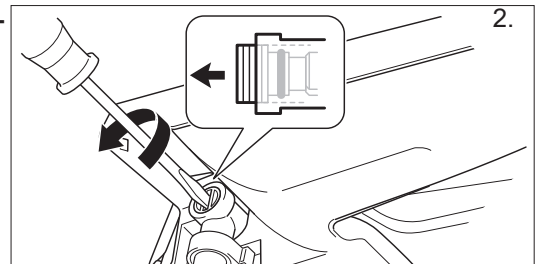
Note: It is recommended that this is cleaned every 6-12 months.

Cleaning Method of Strainer

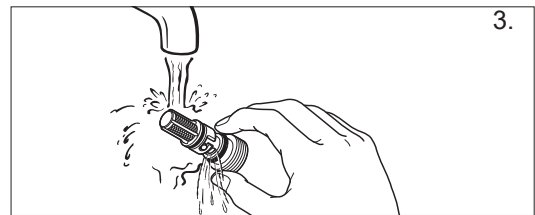
1. Turn off water supply valve and stop water supplying.



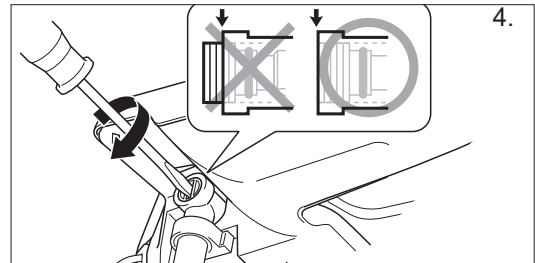
2. Remove the strainer by rotating in an anti-clockwise direction .
(There will be some water flow, please put a container underneath)



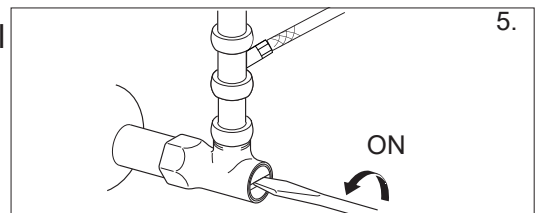
3. Wash the dirt attached to strainer with water.



4. Turn the strainer clockwise to tighten.
Confirm that there are no dirt or debris on the O ring when installing.



5. Open the water supply valve to the original place.



6. Be sure to do the test run at last.

CAUTION

Please turn off water supply valve before removing the strainer.
When installing the strainer, please tighten it without leaving any gaps.



When installing the strainer, please confirm that O ring is clean and free of dirt.



GENERAL TROUBLE SHOOTING

All functions

Symptoms	Probable causes	Recommended action
All functions are not working	Plug seat is not working	Confirm if power is turned on
	Power is turned off . (Water and seat temperature functions are not lighting up)	Press power on/off button. Water temperature and seat temperature lights will illuminate.
	Power plug is not inserted into plug seat.	Insert the power plug securely.
	Electric leakage. (Indicator of leakage protector is not illuminated)	Plug out power plug from plug seat, then plug in. Push the reset button on leakage protector.

SHOWER, BIDET

Symptoms	Probable causes	Recommended action
No action	Seat sensor not been activated.	Adjust sitting position, posture etc.
Water does not spray out of nozzles	Water supply valve is off.	Turn on the water supply valve.
	Mesh of filter is blocked.	Clean the filter.
	Water pressure is too low, and spray strength is set to "LOW".	Set spray strength to "HIGH".
	Seat sensor not been activated.	Adjust sitting position, posture etc.
	Warm water tank is not filled with water.	Test run.
Water temperature is not comfortable	Water temperature is not adjusted to a proper temperature.	Press WATER TEMP. button and adjust it to a suitable temperature.
	Cleaning function has been used for a longer than normal period.	Wait 3 minutes for water to reheat.
	It is in power saving mode.	Release the power saving mode.

ANTI-BACTERIAL

Anti-bacterial:

Toilet seat with antibacterial effect: KILAMIC antibacterial materials are used for toilet seat. And toilet seat has passed the specific certification by SIAA.

KILAMIC antibacterial material has effect with inhibition of proliferation of bacteria on the surface of products. Control quality management under ISO 22196 evaluation system and Society of international sustain growth for Antimicrobial Articles (SIAA) guidelines. It has confirmed that the antibacterial properties qualified through rigorous experiments. Antibacterial activity value is over 2.0.

Explanation about KILAMIC materials:

1. Antibacterial effect: inhibition of proliferation of bacteria on the surface of products.
2. Antibacterial method: mix the anti-microbial agent into resinous material
3. Used antibacterial agent: silver-ion inorganic anti-microbial agent
4. Experimental method:
 - JISZ2801-2010 (ISO22196 Method)
5. Experimental organization:
 - Japan LIXIL Corporation R&D Division Analysis & Assessment Center Office
6. Experimental result:
 - Antibacterial activity value is over 2.0
 - Testing bacteria: colon bacillus and staphylococcus aureus
7. It is difficult to achieve the desired antimicrobial effect if there is dust or oil on the toilet seat surface.



For use-by date

Theoretical use-by date refers to theoretical service time without accident for the E-bidet with standard working condition, proper service and management.

■ Standard working condition

Environmental Conditions	Voltage · Frequency	AC230V·50Hz
	Room Temperature	20°C
	Water Inlet Temperature & Pressure	15°C·0.2MPa
	Installation Requirement	Private Bathroom, installed separately from the shower room
Load Conditions	Rated Load	Perform standard setting based on product specifications designed
Theoretical Time	Family of Four (2 male and 2 female), Using frequency: defecate: once/day for each person urinate: male: 4 times/day for each person; and female: 4 times/day for each person Can use E-bidet function for 15 seconds each time.	
Service & Maintenance	Following the procedures shown in the instruction, and perform service, inspection and repair.	



WARNING

【 Theoretical use-by date 】 10 YEARS

Please replace immediately when the product has passed theoretical use-by date. Or may cause fire or injury due to component deterioration.

- NOTICE:**
- ① Because the storage environment, the environment (such as the stability of electric power, environmental temperature and humidity, water, etc.), differences in methods of use, safe use of the actual product varies. The actual use of security products at public places may be significantly reduced.
 - ② Service time without accident does not mean free warranty.
 - ③ For the protection of the safe use of the product, please follow the instructions described in the method used, the daily cleaning and maintenance when necessary (such as unusual time), please contact our service hotline.
 - ④ For occasional accidents safe use period, the company will not compensate and not provide free repairs. Within the scope permitted by law, the Company reserves all the right of final interpretation for safe use.

SPECIFICATIONS

Model		CEAS7SS1-0100510R0
Rated voltage		AC 230V 50Hz
Rated power		300W
Water pressure range		0.06MPa (flow pressure) — 0.75MPa (hydrostatic pressure)
Ambient temperature range		ordinary temperature
Product size		L511mm*W472mm*H173mm
Water inlet type		Direct inlet flow
Wash	Warm water supply type	Warm water tank 0.7L
	Posterior wash volume	0.25-0.6L/min (3/5 adjustment levels) water pressure 0.2MPa
	Feminine wash volume	0.45-0.6L/min (3/5 adjustment levels) water pressure 0.2MPa
	Warm water temperature	OFF (water temperature) Low (about 32°C) Mid-low (about 34°C) Mid (about 36°C) Mid-high (about 38°C) High (about 40°C) (6 adjustment levels)
	Oscillating	•
	Massage (posterior wash)	•
	Nozzle position adjustment	•
	Air bubble wash (feminine)	•
	Power of warm water heater	250W
	Safety device	Temp. sensor, Temp.fuse, High Temp.sensor switch
Warm air dryer	Air volume	0.2 m ³ /min
	Warm air temperature	(room temperature-Low (about 30°C) Mid (about 40°C) High (about 45°C) (4 adjustable levels)
	Safety device	Temp.fuse, Temp. sensor
Heated seat	Surface temperature	In use: room temperature: about 28°C — 40°C (6 adjustable levels) One touch power saving (8 hrs) setup: room temperature super power saving (ON OFF)
	Power of heater	48W
	Safety device	Temp.sensor, Temp. fuse
Deodorizer	Deodorizing type	Chemisorption by activated carbon deodorizer
Power save	One touch power saving (8 hrs)	•
	High efficiency power saving	•
Others	Nozzle self-cleaning	•
	Nozzle manual clean	•
	Seat heating auto off	•
	Electric leakage protector	•
	Sitting sensor type	Mechanical sensor
	Anti-bacterial	Seat, control panel, nozzle, seat cover
	Soft close seat & cover	•
	Quick detach cover	•
Quick detach	•	