



^ NOTE: Allow a minimum of 25mm away from front of cistern from back edge of template



PRE SELECTION TEMPLATE

SpaLet® E-Bidet

INSTRUCTIONS

- 1 Remove existing seat from toilet pan
- 2 Remove perforated sections and place template face up over toilet
- 3 Ensure that the back edge of template is 25mm away from cistern
- 4 Your toilet seat fixing holes should sit within the cut out section
- 5 Make sure that buffers will be positioned on the rim of the toilet
- 6 Seat edge should not overhang front or back of rim by more than 10 mm

If the template fits the above specifications the SpaLet®-E Bidet is a likely match for your toilet.

American Standard

SpaLet® E-Bidet
A Seat Above the Rest



Ensure Buffers are positioned over the rim.

Compatible with most toilets and a breeze to install the SpaLet® E-Bidet is a seat above the rest offering heated seat, indulgent cleansing, adjustable water temperature, superior comfort and personal cleanliness and hygiene. Update your tired old toilet seat today.

Use this template to see if the SpaLet® E-Bidet fits your toilet.



FEATURES



DUAL NOZZLES

Front and rear cleansing nozzles offer the complete personal cleaning experience for the whole family.



SELF-CLEANING

Nozzle tips are hygienically rinsed with water before and after every use



ANTIBACTERIAL PROTECTION

Seat, cover, nozzles and remote control unit feature anti bacterial resin to keep you safe.



MASSAGE

The heated sprayers alternate between strong and mild for indulgent cleansing.



HEATED SEAT

Features easy to adjust temperature control for greater comfort.

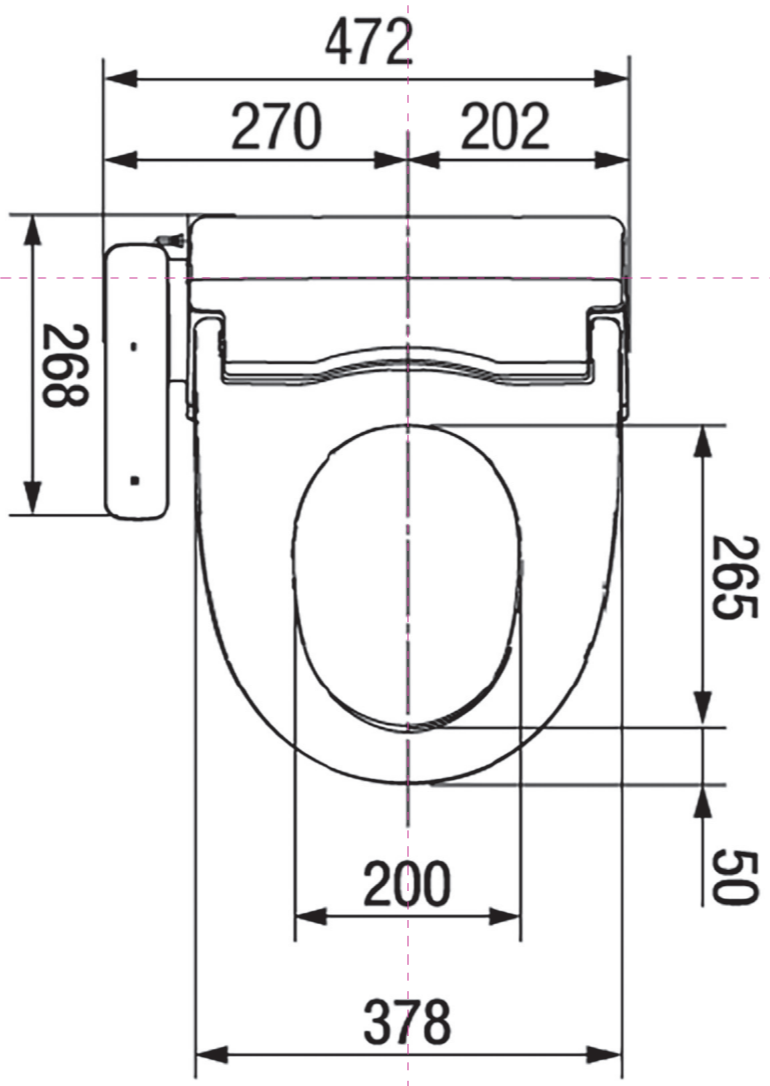
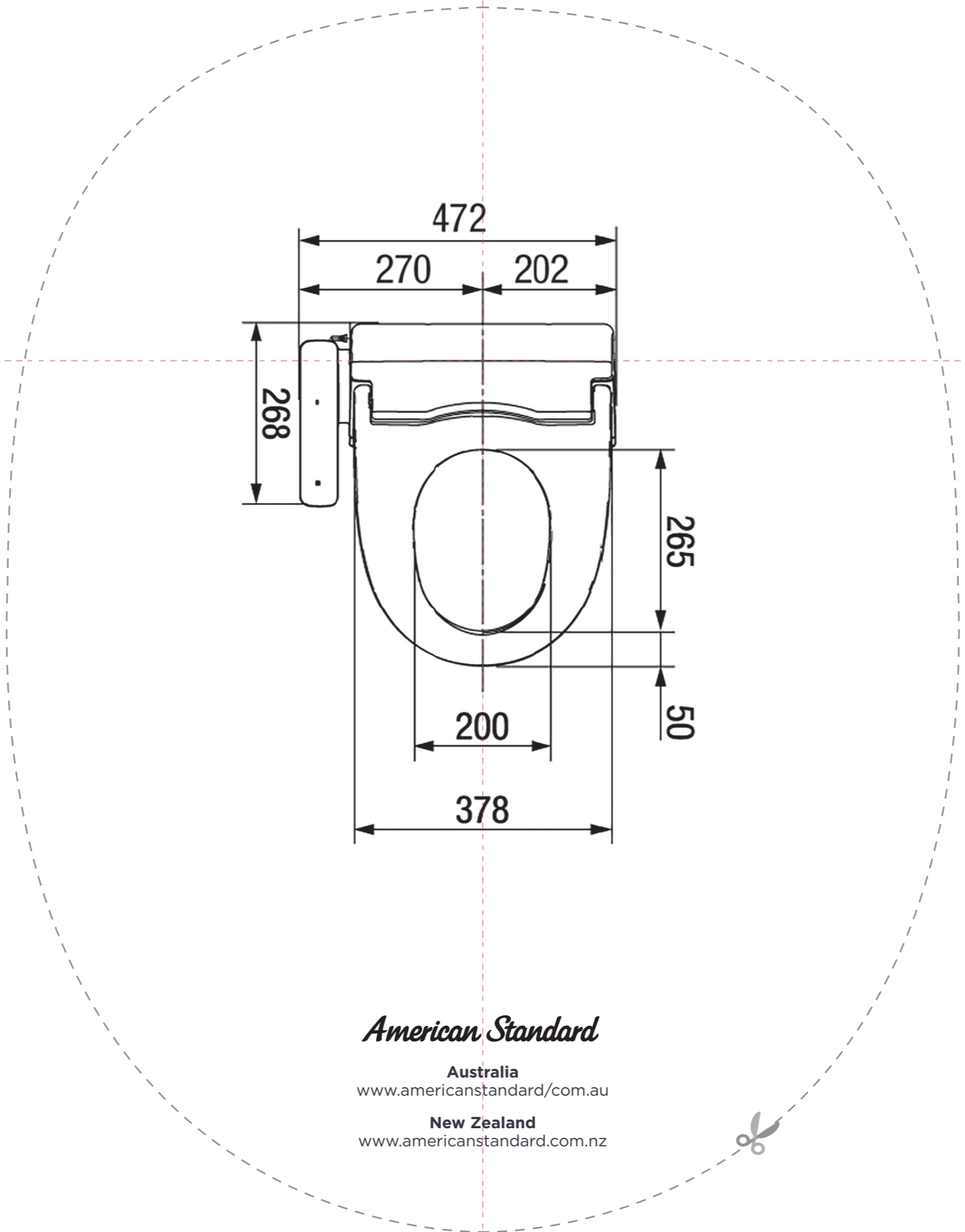


CONTROL PANEL

Easy to use side panel makes adjustments simply a breeze to use.

American Standard

NOTE This seat template should be used as a rough guide only to explore if the SpaLet® E-Bidet can be retrofitted to your existing toilet.



American Standard

Australia
www.americanstandard.com.au

New Zealand
www.americanstandard.com.nz

