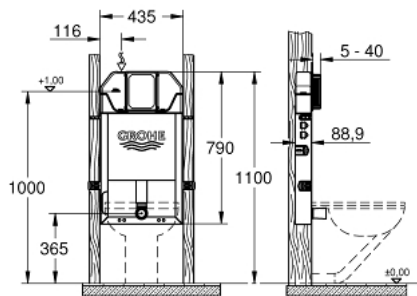


## 39 696 000 SOLO SLIM FLUSHING CISTERN FOR WC 88.9 MM

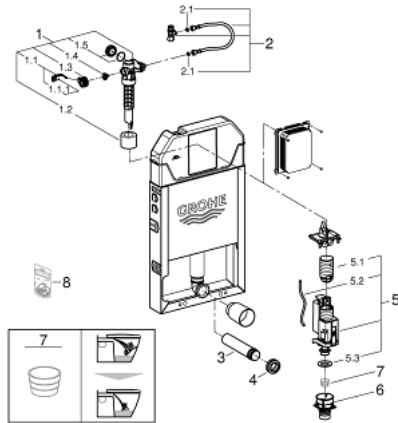


### PRODUCT DESCRIPTION

- cistern volume 6 l
- angle valve ½"
- GROHE Water Saving - Less water, perfect flow
- Shortable inspection shaft incl. protection during construction phase, for vertical use
- for mounting of small flush plates please order revision shaft 40 949 000 (sold separately)
- adjustment ex factory 6l and 3l
- flushing cistern SLIM, 3 - 6 l, containing following features:
- pneumatic discharge valve offering 3 modes of operation: dual flush or start/stop or single flush
- water supply from top
- optional flow manager please order separately
- for on-the-wall installation please order wall brackets 39 699 000 (sold separately)
- flush pipe insulated against condensation
- DR-brass
- approved for Australia



## 39 696 000 SOLO SLIM FLUSHING CISTERN FOR WC 88.9 MM



### SPARE PARTS, February 2019 – now

- 1: Filling valve (Order-nr. 42598000)
  - 1.1: Lever (Order-nr. 43734000)
  - 1.1.1: Ball seal dia. 9x6.8 mm (Order-nr. 4377000M)
  - 1.2: Valve float, 5 pcs. (Order-nr. 4379100M)
  - 1.3: Valve head (Order-nr. 43536000)
  - 1.4: Membrane (Order-nr. 43758000)
  - 1.5: Screw cap (Order-nr. 43735000)
  - 2: Angle valve 1/2" (Order-nr. 42607000)
  - 2.1: Seat washer (Order-nr. 0319100M)
  - 3: Wall union (Order-nr. 43352000)
  - 4: Connector (Order-nr. 37119000)
  - 5: Dual Flush discharge valve AV1 (Order-nr. 42320000)
  - 5.1: Extension for overflow pipe (Order-nr. 42313000)
  - 5.2: pneumatic hose (Order-nr. 42319000)
  - 5.3: Ball seal dia. 9x6.8 mm (Order-nr. 42310000)
  - 6: Valve seat (Order-nr. 42599000)
  - 7: Flow restrictor (Order-nr. 42300000)\*
  - 8: Repl. kit f. seal (Order-nr. 43722000)\*
- \* Optional accessories