

RAPDIO SMARTBOX
 UNIVERSAL ROUGH-IN BOX
 MODEL #35602000

Pure Freude
 an Wasser

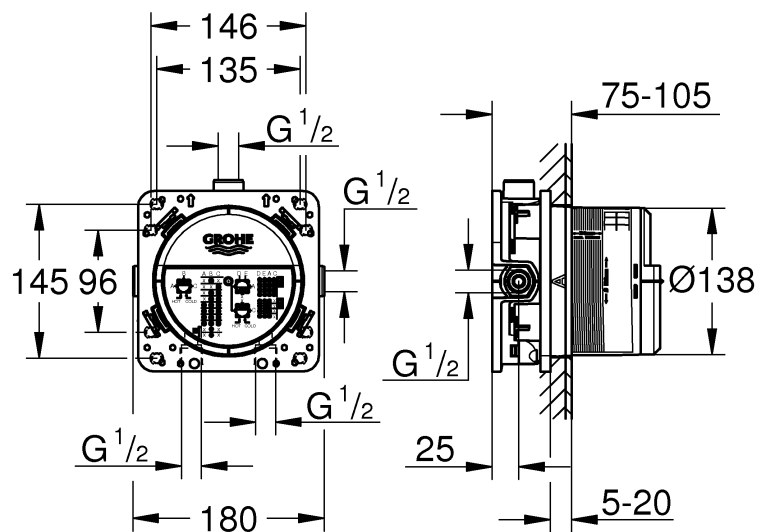


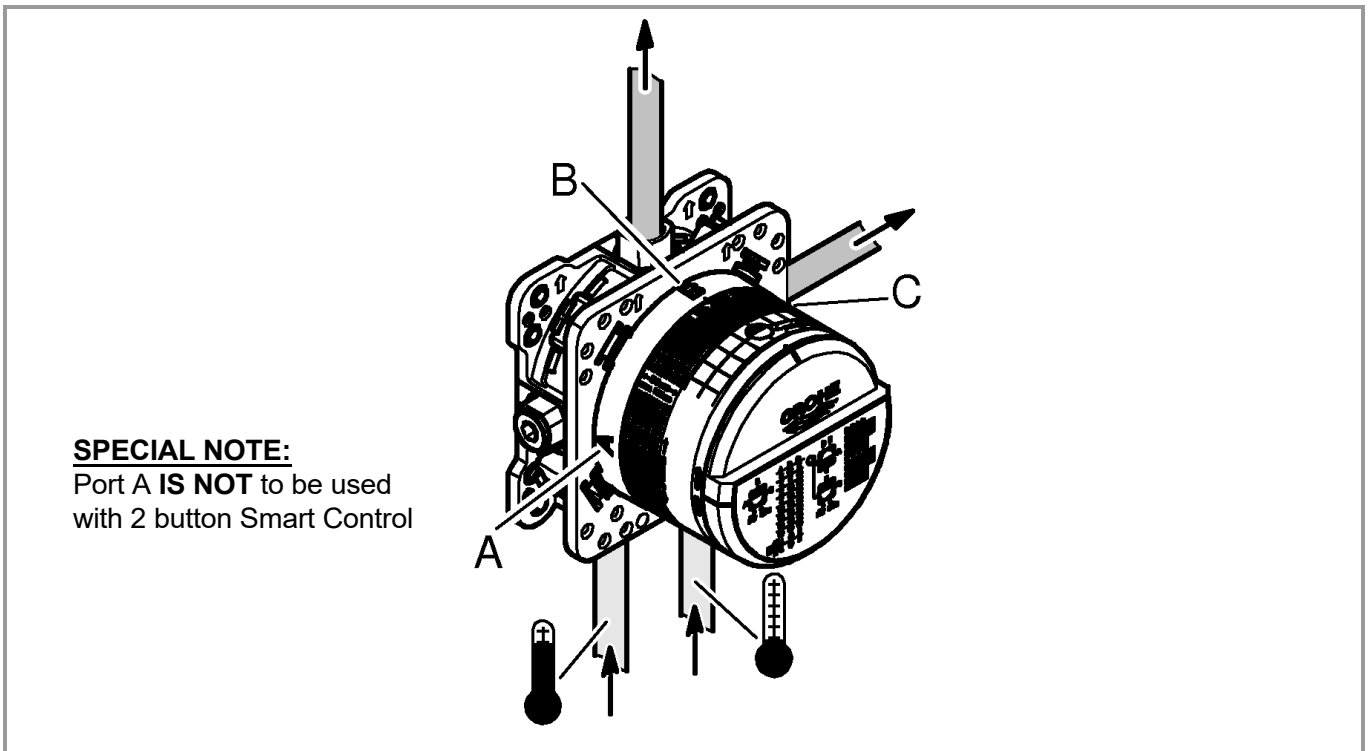
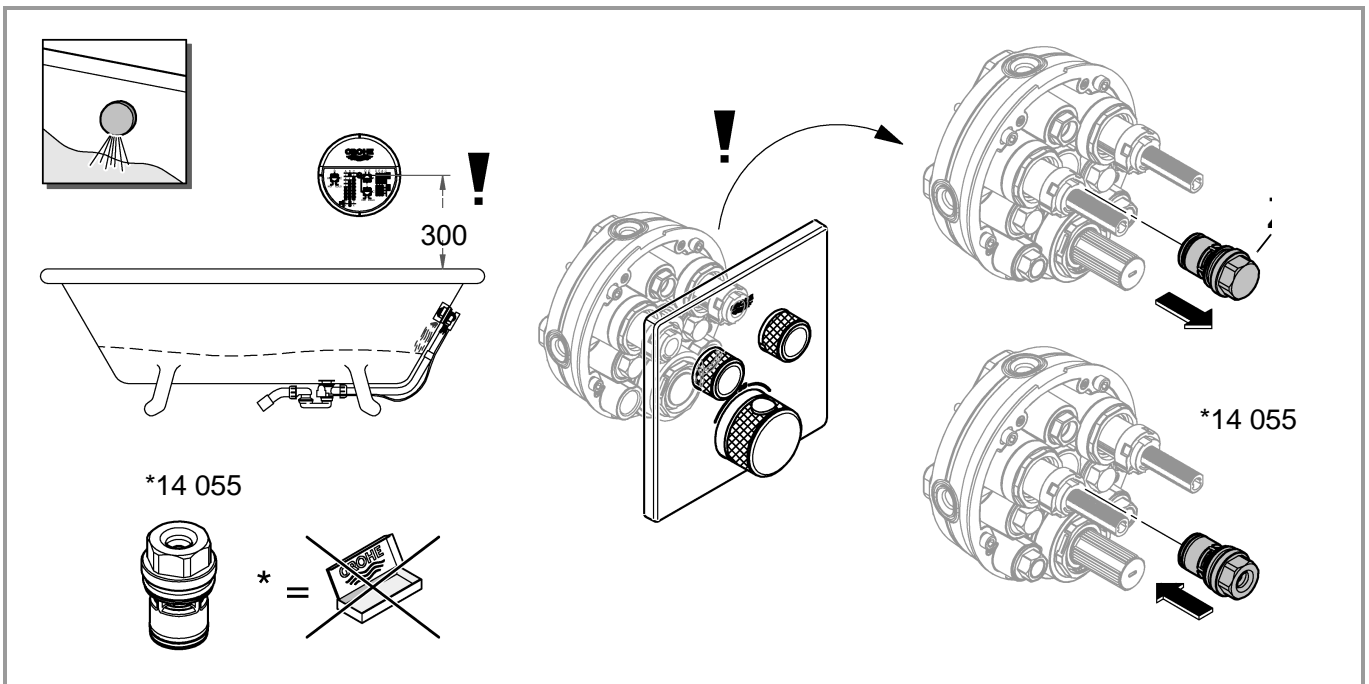
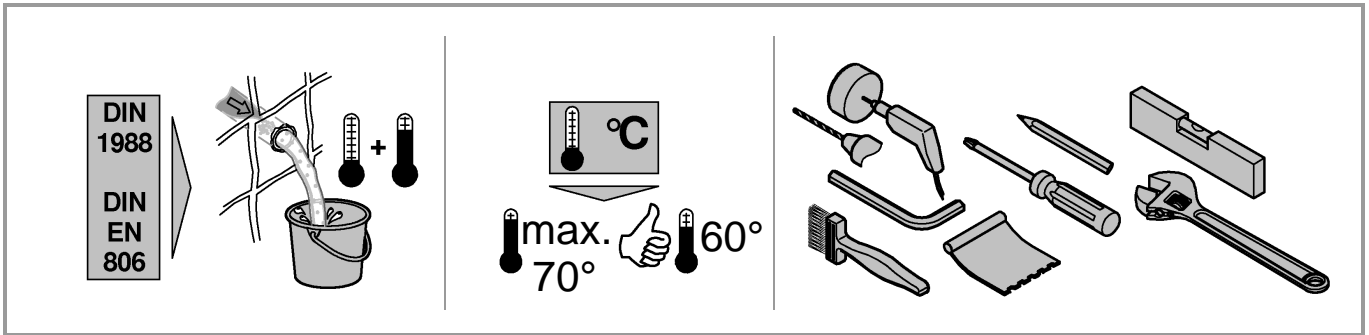
Product Specifications



Product description

GROHE Rapido SmartBox
 Universal rough-in box, 1/2"
 3 outlets 1/2"
 2 inlets below, 1/2"
 Installation depth 75-105 mm
 Connection unit in DR brass
 Pre-mounted flushing plug
 Stable build-in box and protective cover fixation
 Options for solid walls and dry cladding gasket
 without trim-set for final installation







Applications

Operation is possible with:

- Pressurised storage heaters
- Thermally/hydraulically controlled instantaneous water heaters

Operation with unpressurised storage heaters (displacement water heaters) is **not** possible!

Technical data

- Operating pressure: max. 1000 kPa
- Test pressure: 1600 kPa

Note:

This product must be installed in conformance with local codes e.g. AS/NZS 3500 series of standard!
To comply with noise levels if static pressure exceeds 500 kPa, a pressure reducing valve must be fitted.
For the combination with bath filler and overflow sets an approved safety device is prescribed according to EN 1717.

The following must be observed:

- For Grotherm SmartControl and SmartControl Mixer with **two valves** the safety device (special accessories prod. no.: 14 055) can be screwed in instead of the pre-assembled plug (Z).
- The GROHE Rapido SmartBox must be mounted at least 300mm above the tub edge.

Installation of the box

- Make drill holes for the box and slots for the pipes.
- Installation depth 75-105mm.
- If the box is installed too deeply an extension can be applied.

Installation options, see pages 3-5.

- Installation in studding
- Installation with spacers
- Installation directly on the wall
- Installation in the wall
- Installation on prefabricated house assembly plates or prefabricated shells

Connecting the pipes

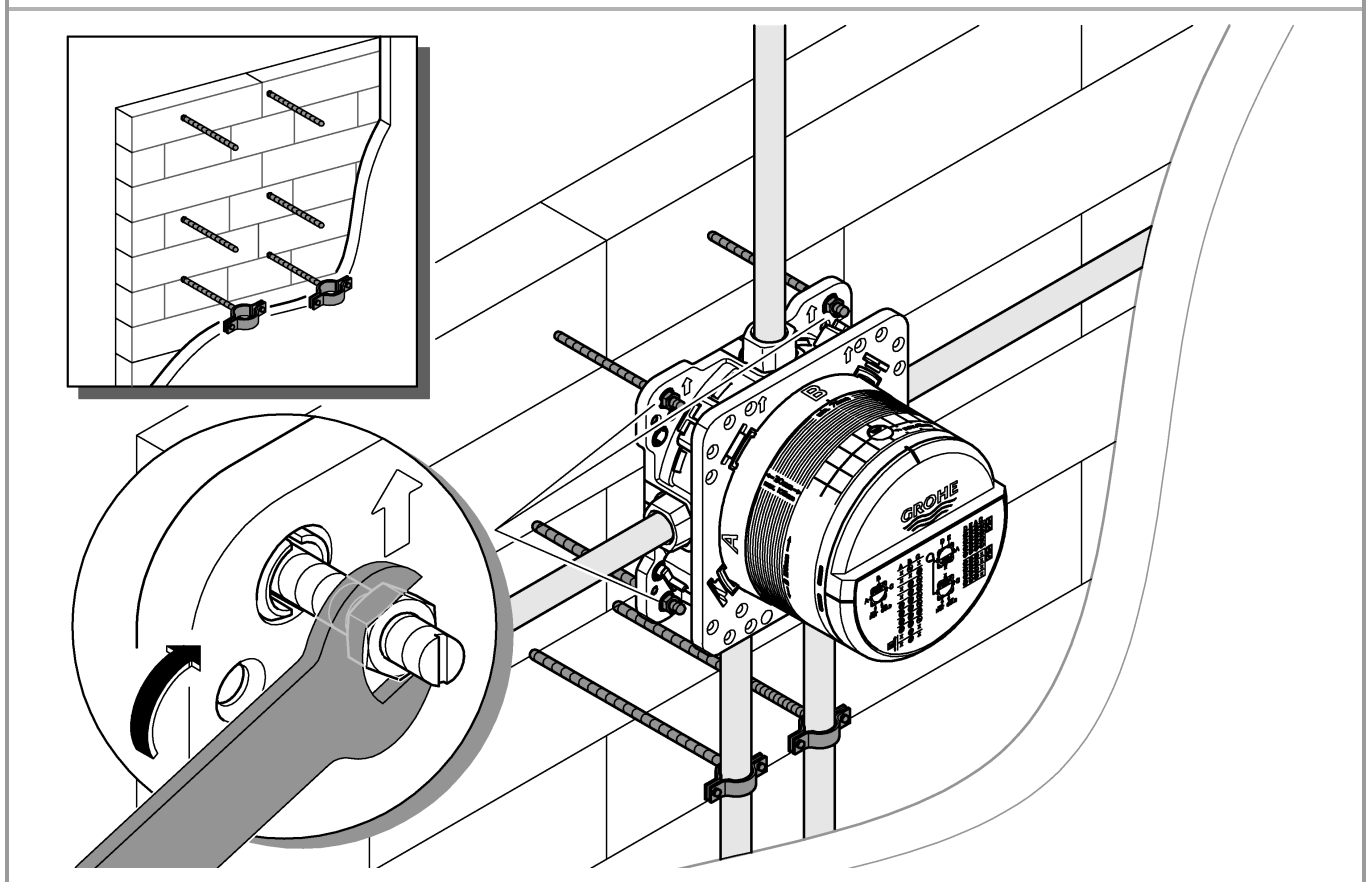
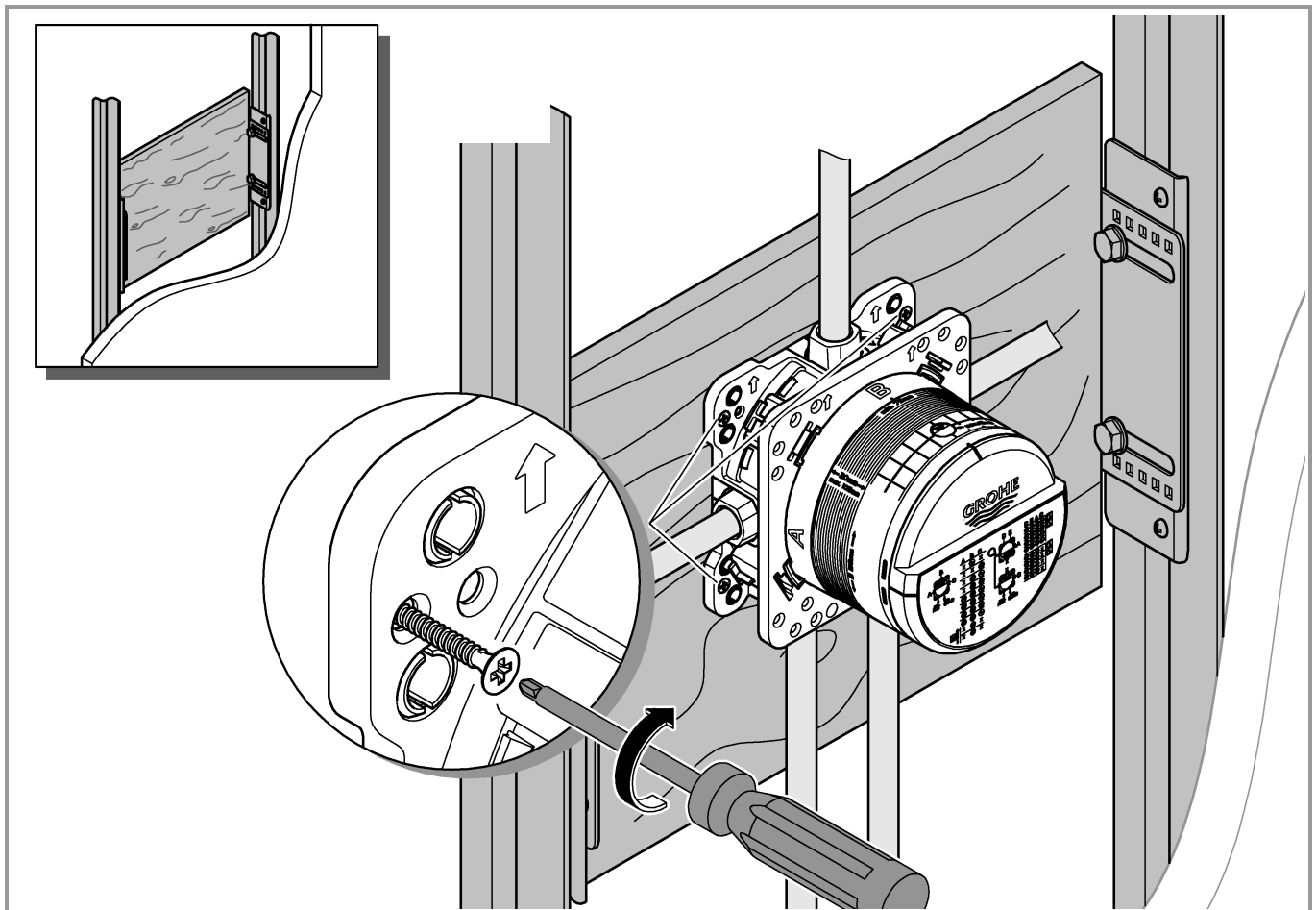
The outflows intended for this purpose are to be used.

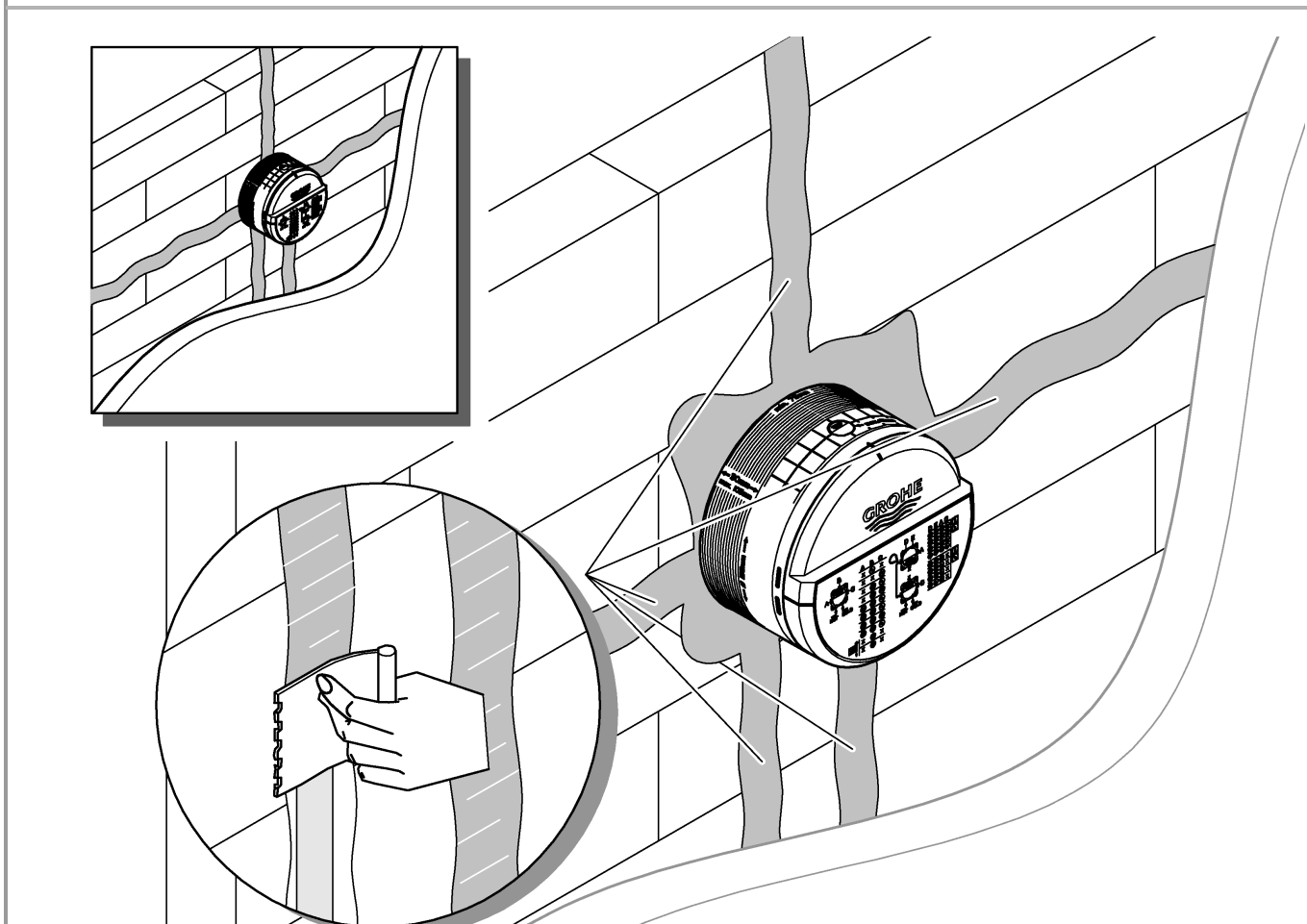
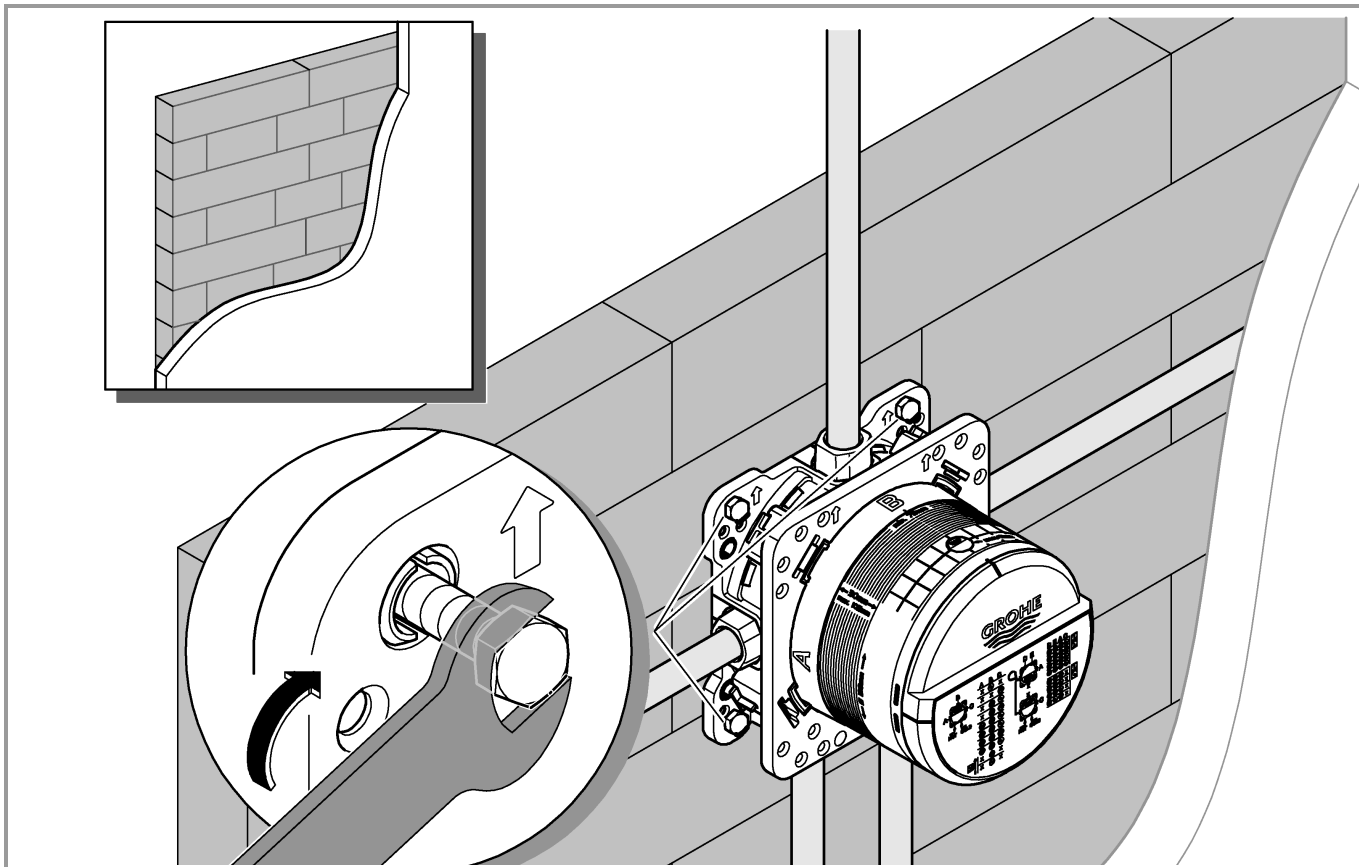
- Recommended configuration options, see from page 10.
- Non-binding outflows must be sealed with the accompanying plug (X).
- Check connections for water-tightness.
- Plugs (Y) must be assembled, see page 7, Fig. [6].

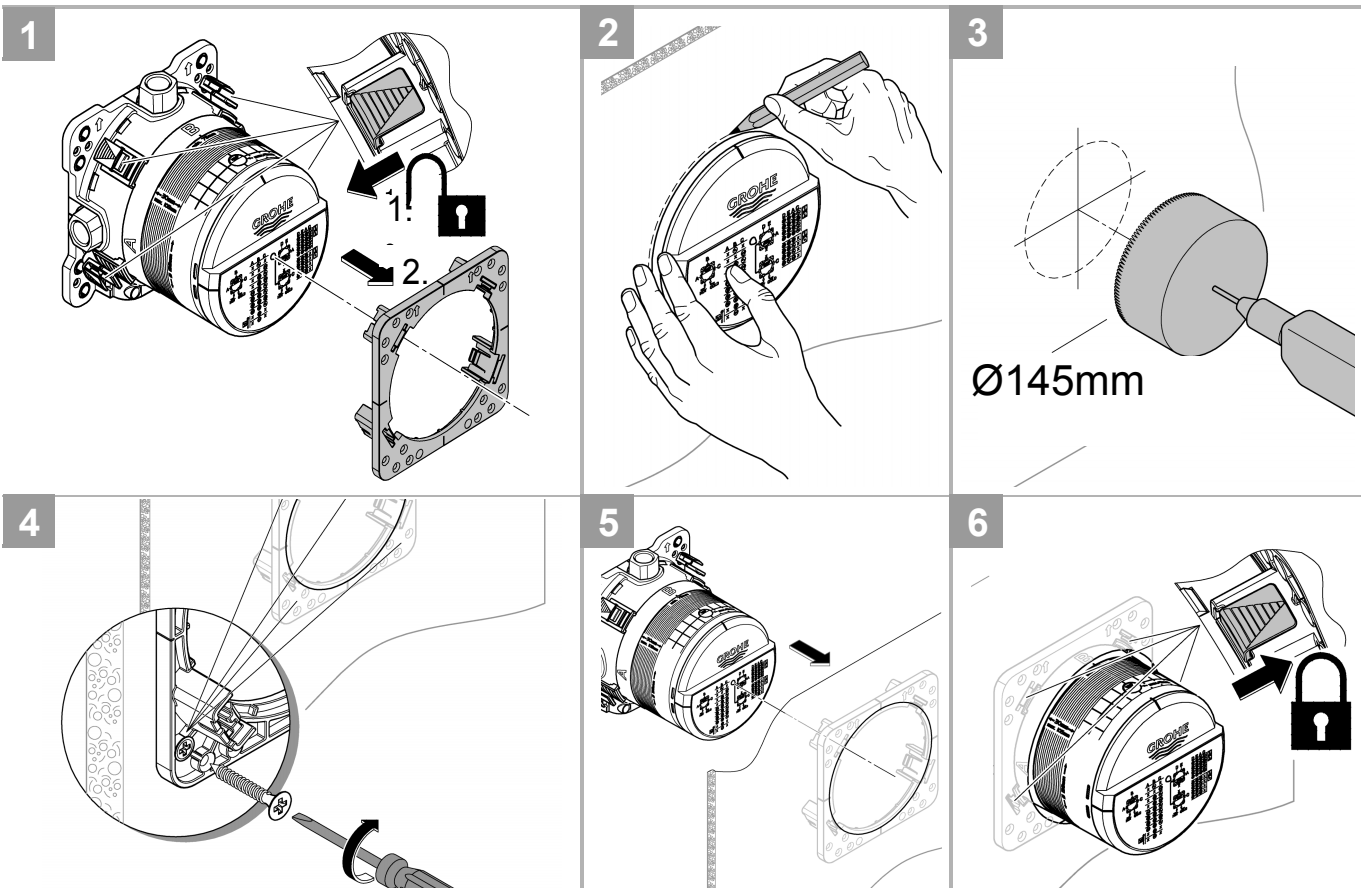
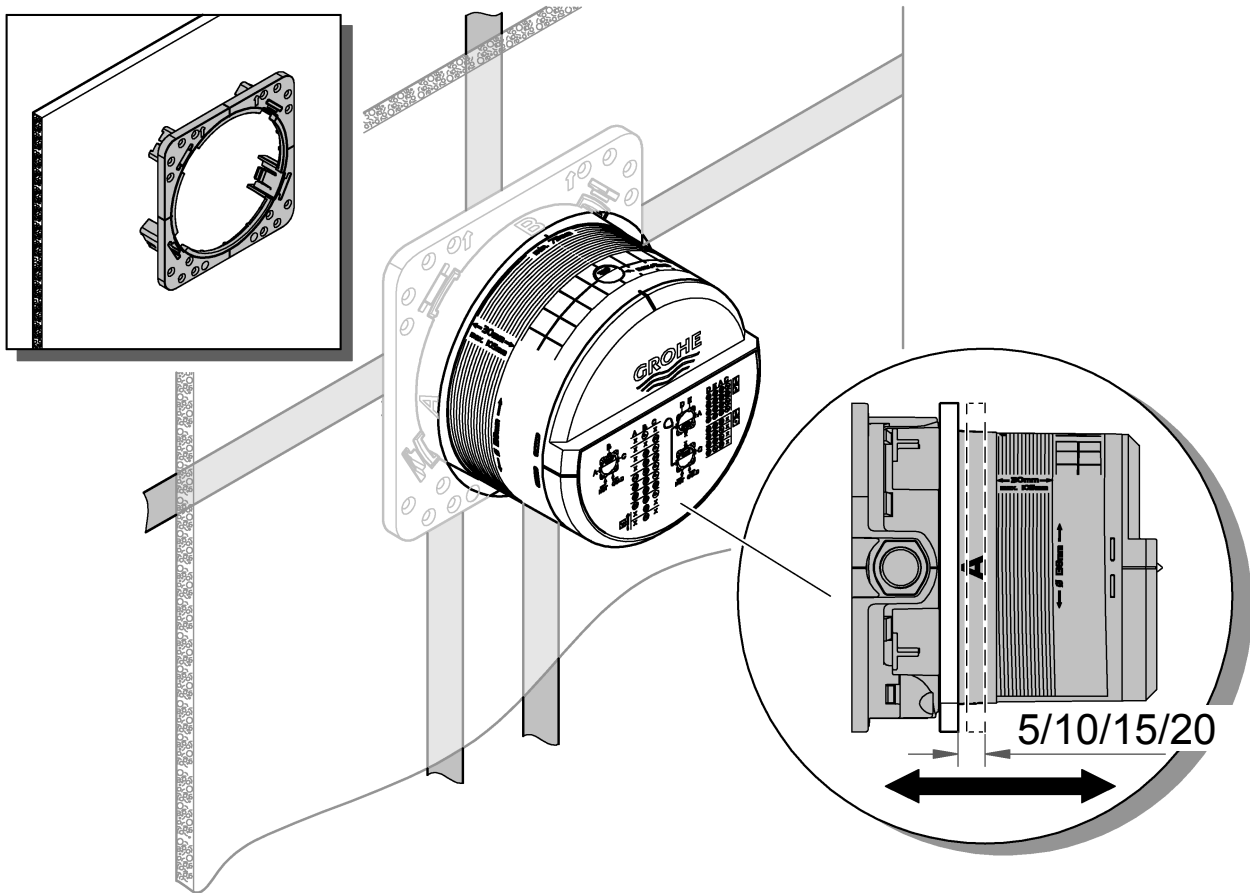
Apply carrier material as sealant, see page 8, Fig. [9] to [11].

Plaster and tile the wall.

Do **not** cut the fitting template prior to final installation.



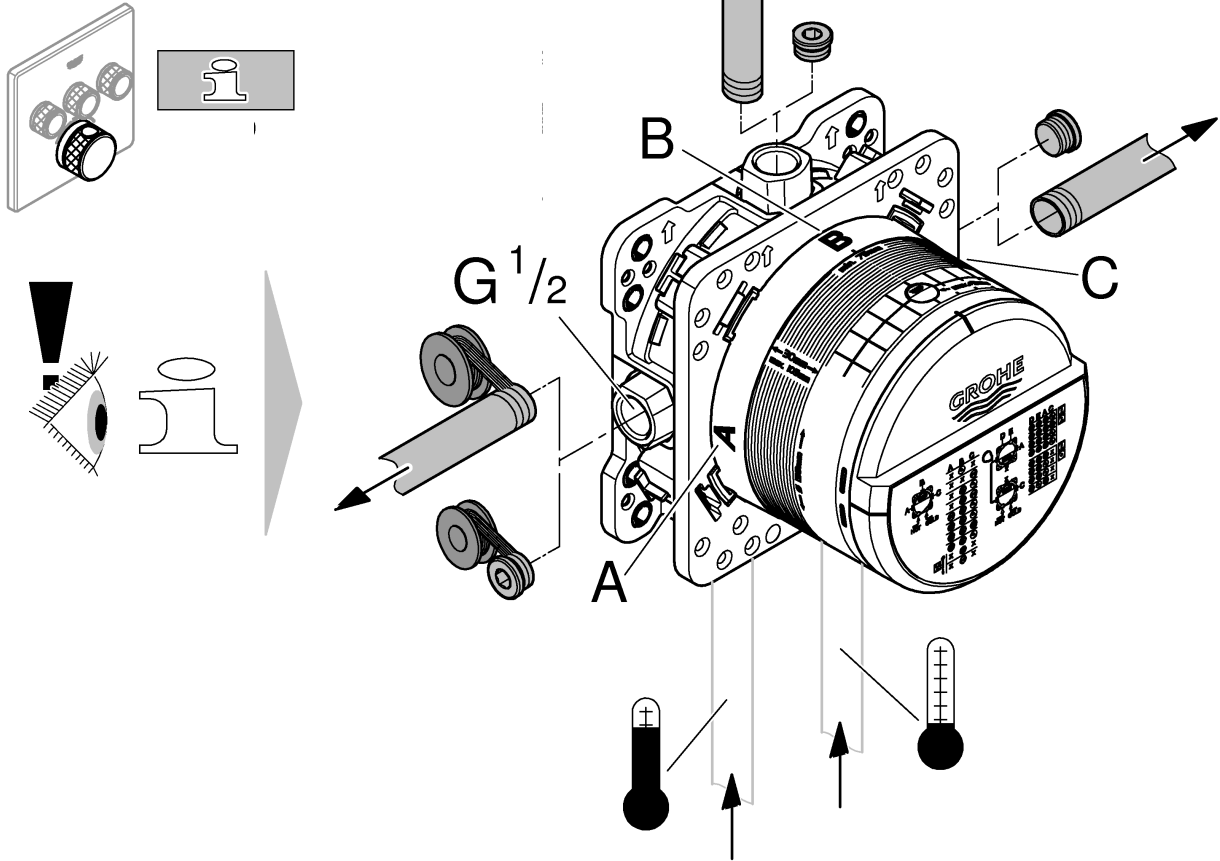




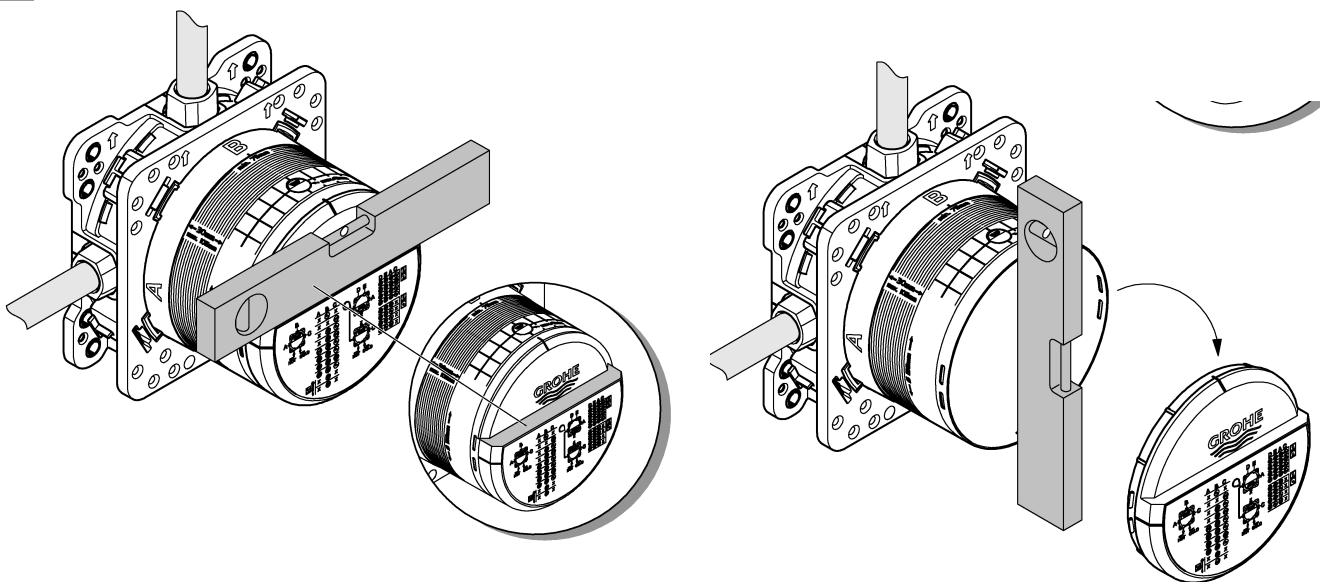


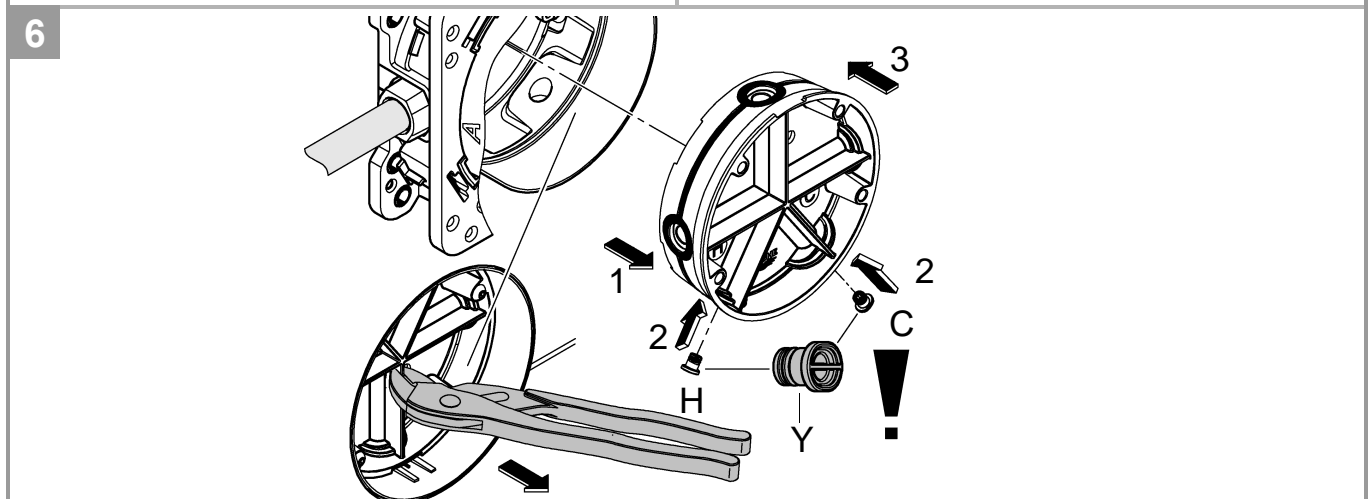
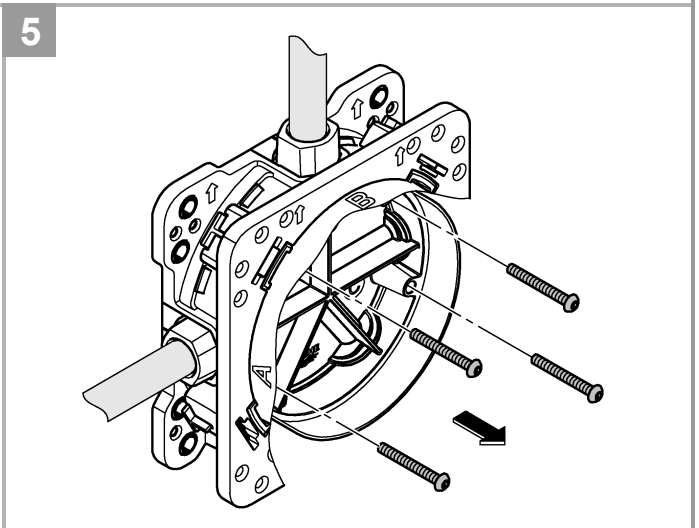
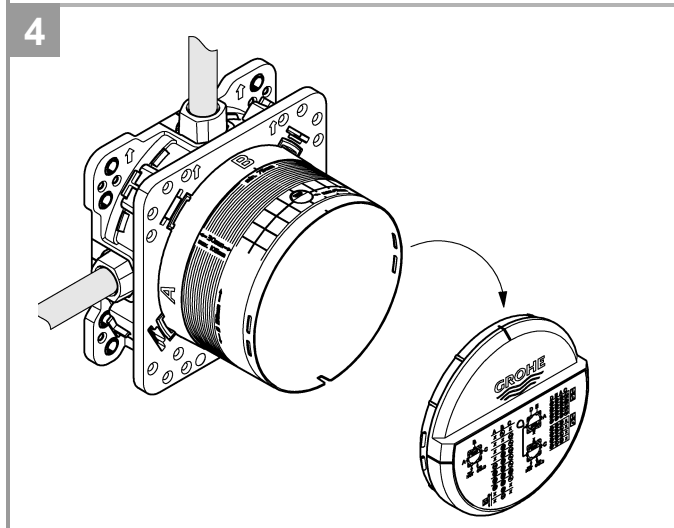
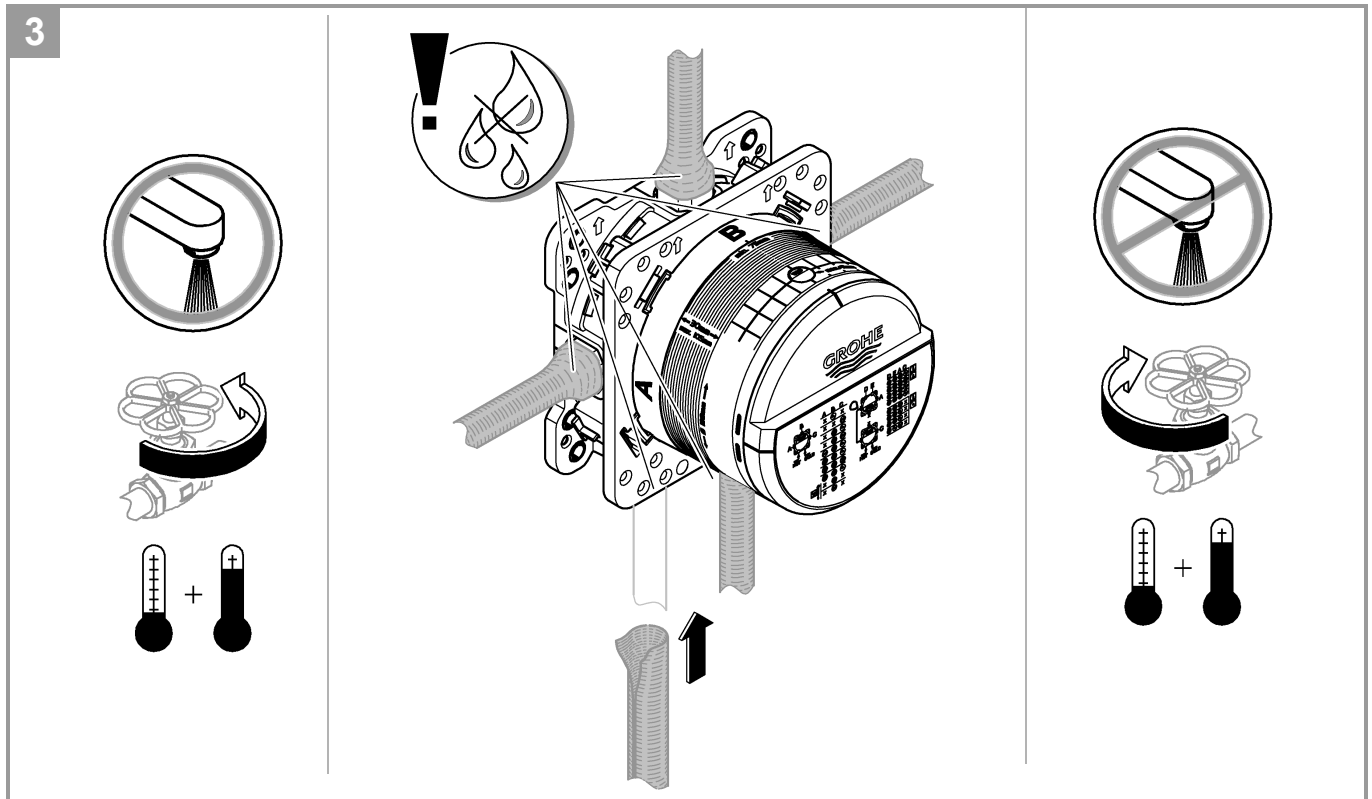
1

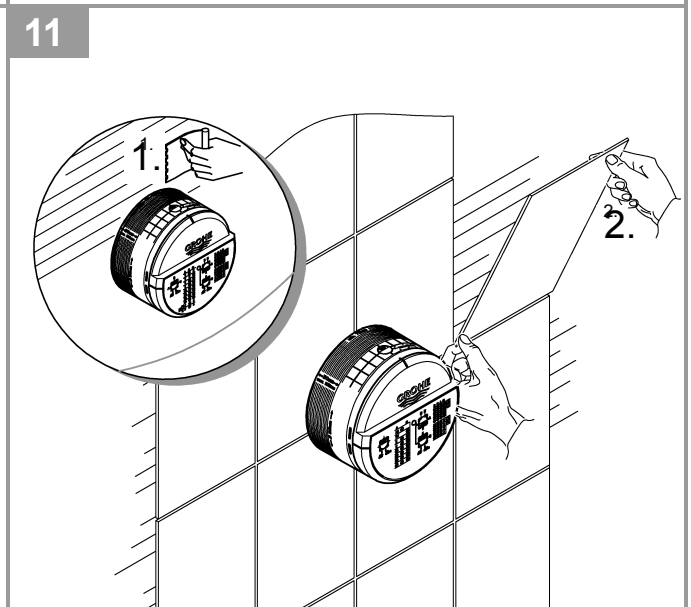
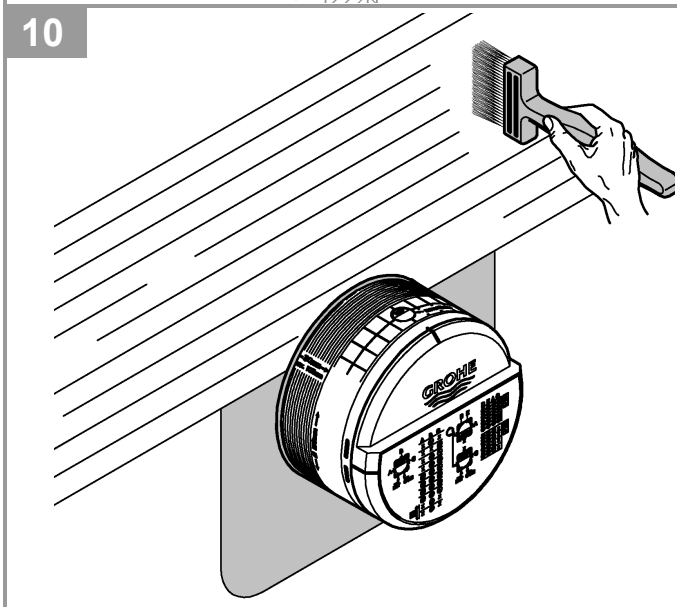
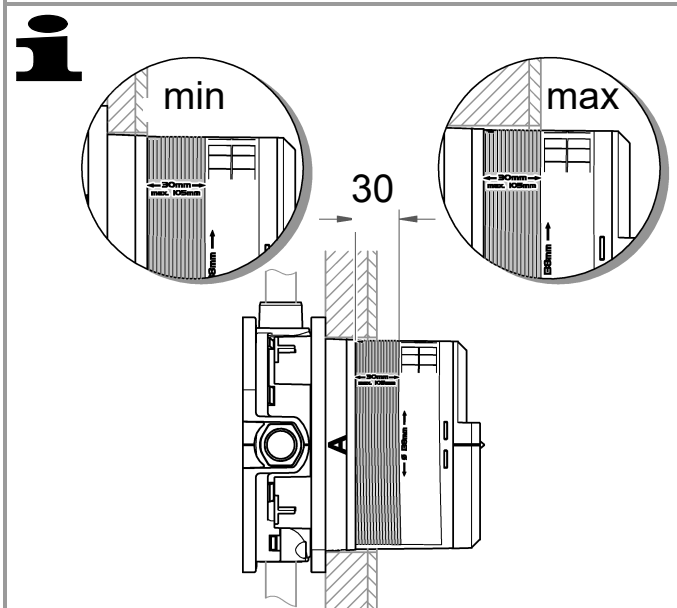
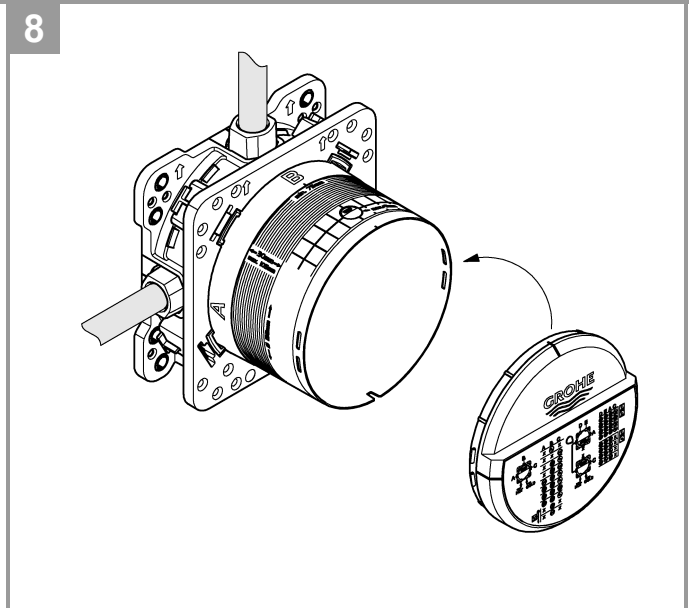
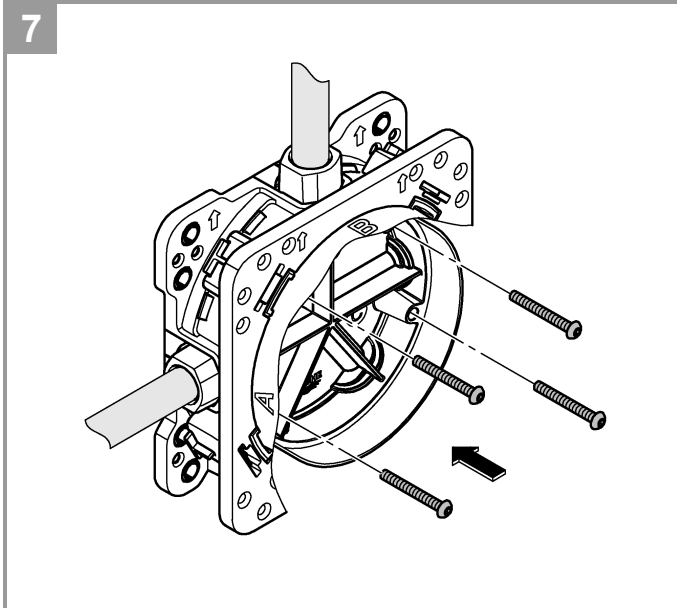
Grotherm Smart Control



2









Technical specifications Grohtherm SmartControl

- Flow pressure
 - Minimum flow pressure without downstream resistances 50 kPa
 - Minimum flow pressure with downstream resistances 100 kPa
 - Recommended 150:500 kPa

- Minimum flow rate 5 l/min

- Temperature
 - Hot water inlet max. 70 °C
 - Recommended for energy saving 60 °C
 - Thermal disinfection possible

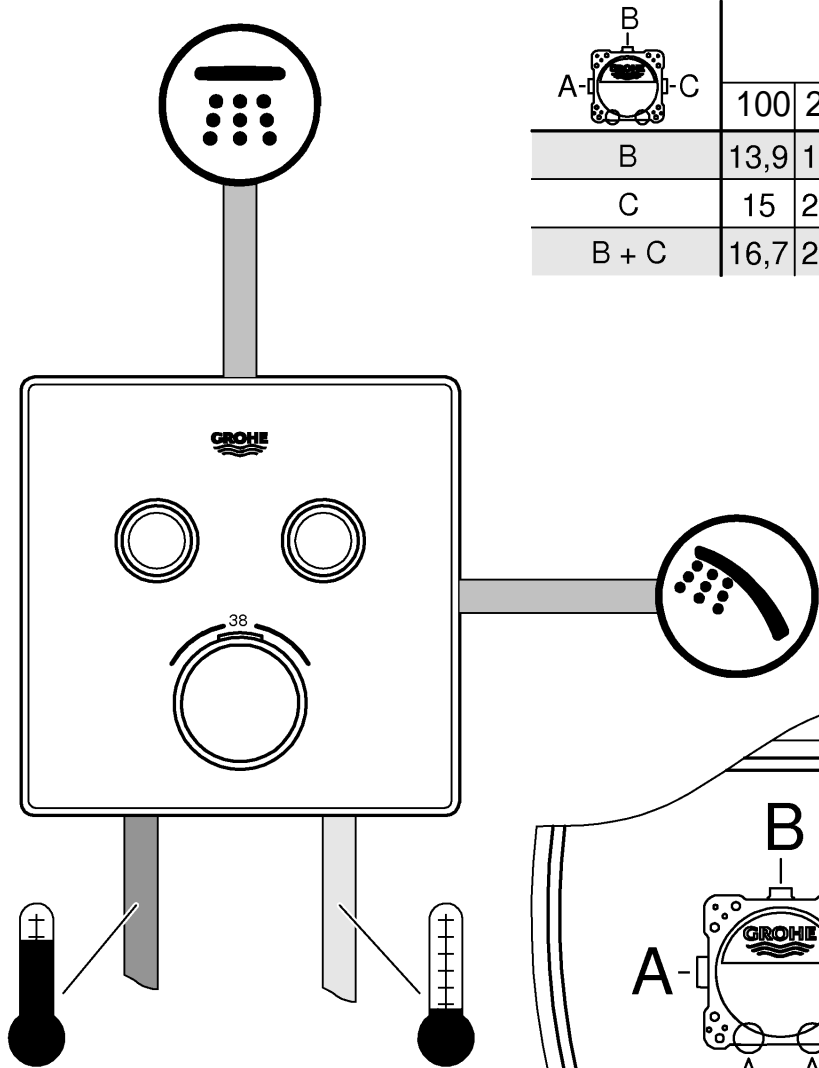
- Hot water temperature at supply connection min. 2 °C higher than mixed water temperature

Flow rates without downstream resistances, see page 10-15. **These are to be observed when dimensioning the outlet!**

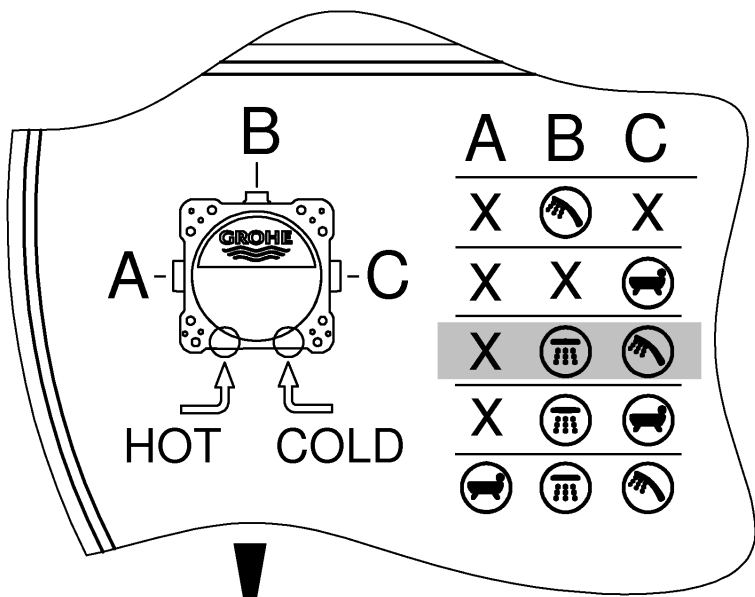
- Recommended configuration options, see from page 10.

The following special accessories are available:

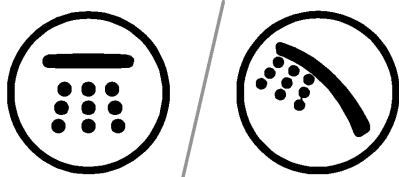
- Extension 25mm (prod. no.: 14 048)
- Safety device, only in combination with two valves (prod. no.: 14 055)
- Isolating valves (prod. no.: 14 053)
- Reversed connection, hot on right – cold on left replace thermostat cartridges (prod. no.: 49 003)

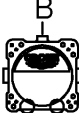


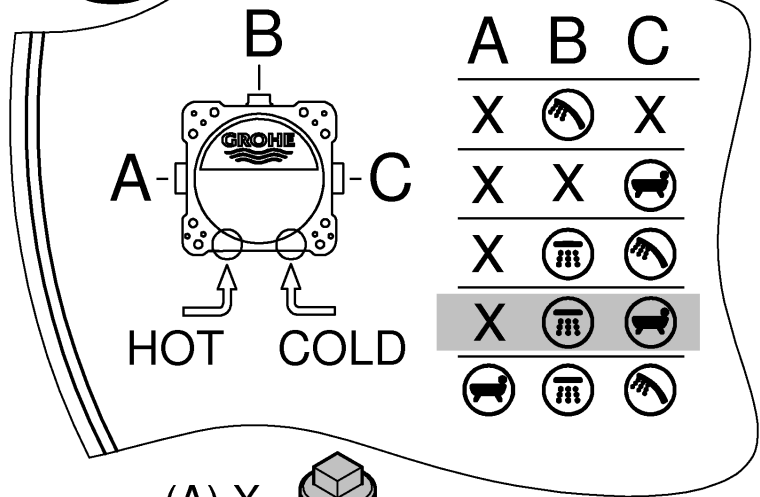
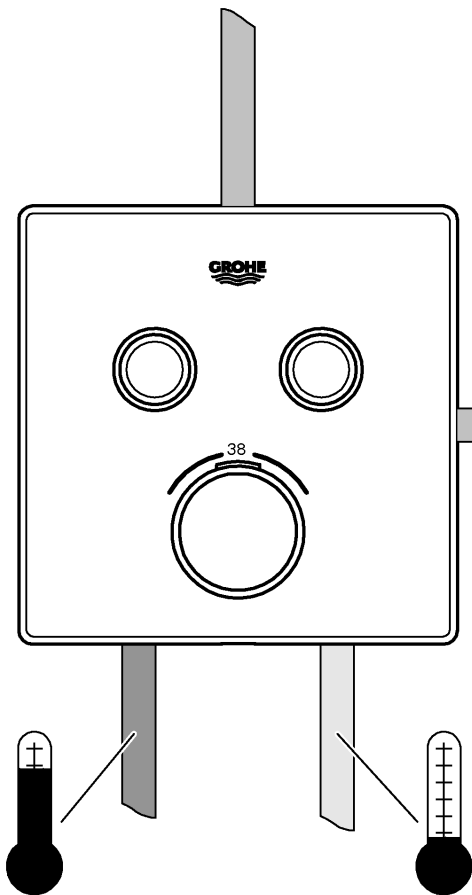
	kPa						l/min
	100	200	300	400	500	600	
B	13,9	19,6	24	27,7	31	33,9	
C	15	21,2	26	30	33,6	36,8	
B + C	16,7	23,7	29	33,5	37,4	41	



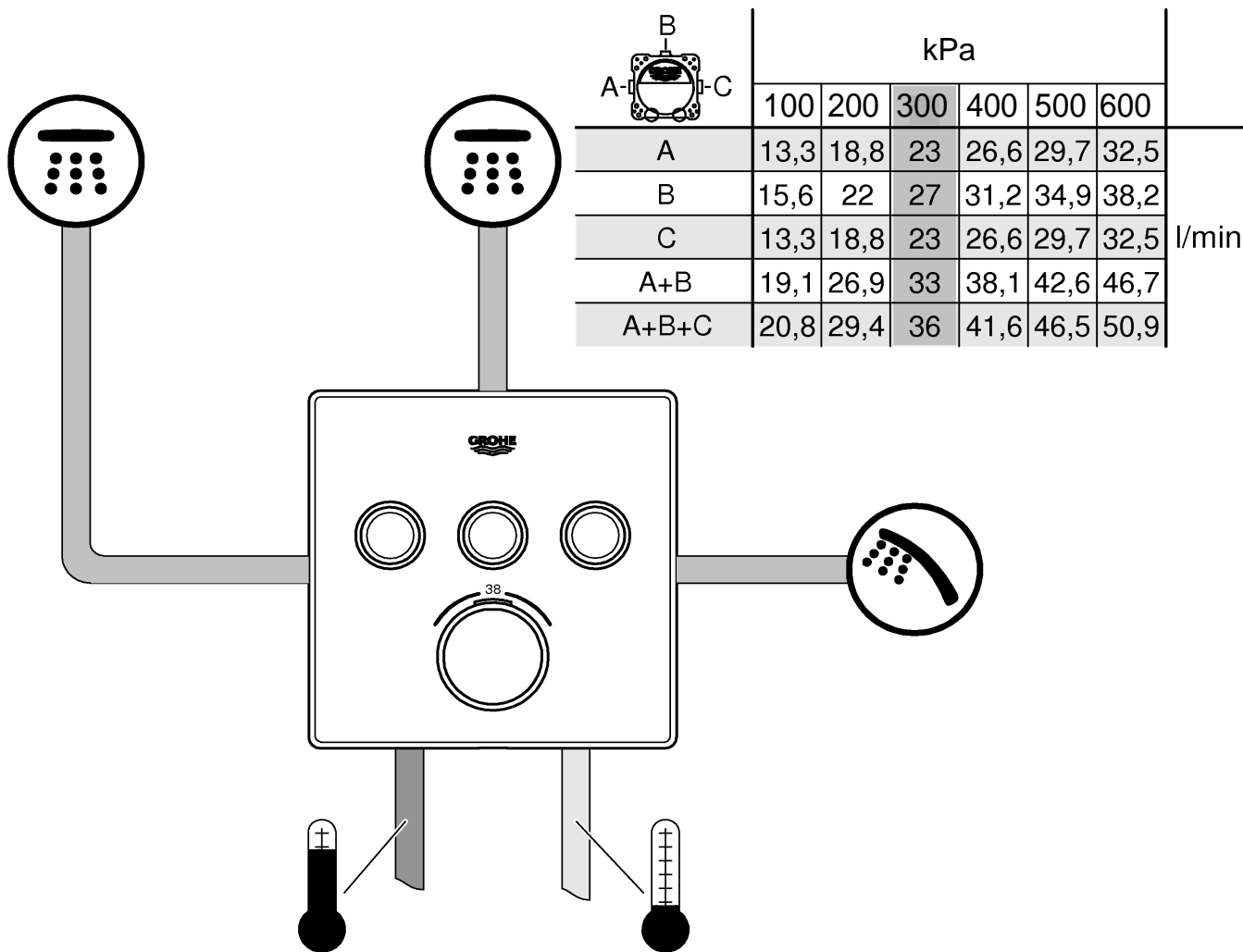
! (A) X=



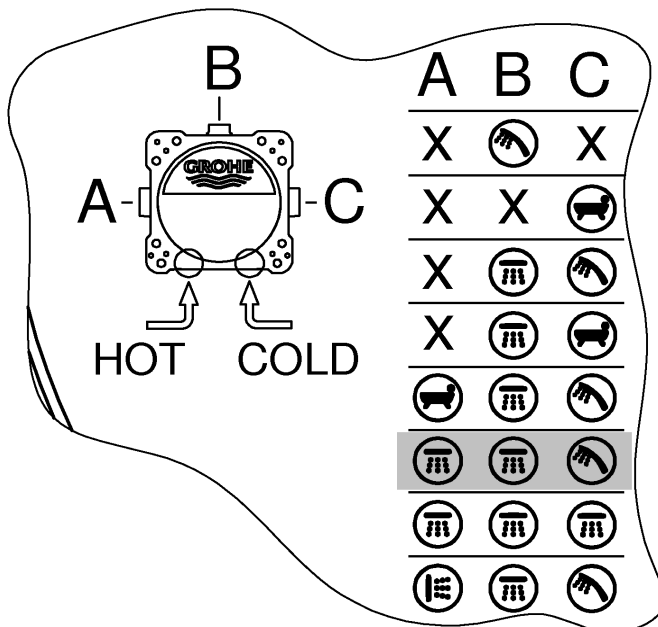
A-  -C	kPa						l/min
	100	200	300	400	500	600	
B	13,9	19,6	24	27,7	31	33,9	
C	15	21,2	26	30	33,6	36,8	
B + C	16,7	23,7	29	33,5	37,4	41	

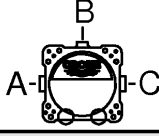


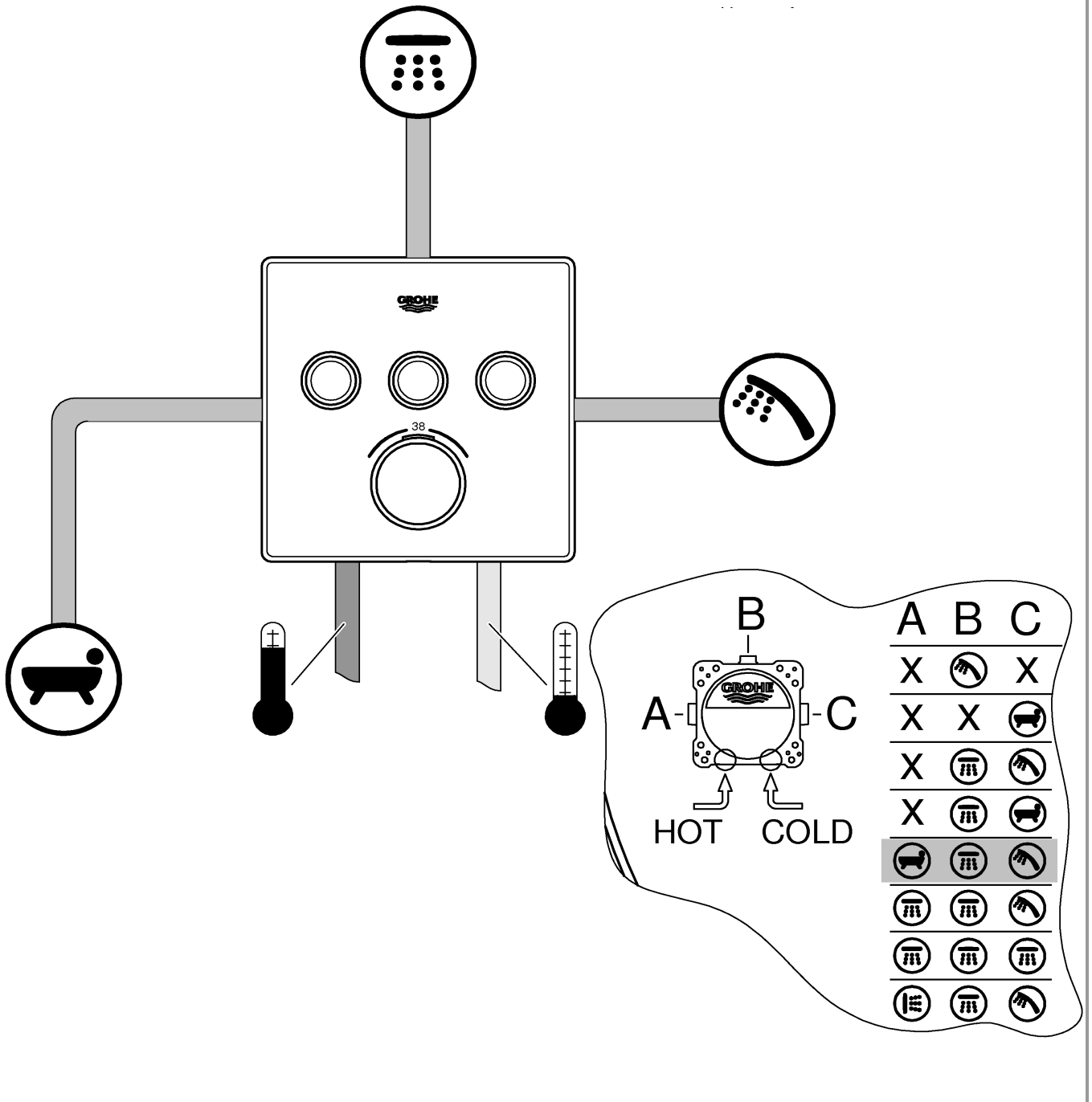
(A) X=

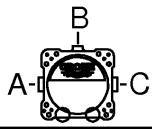


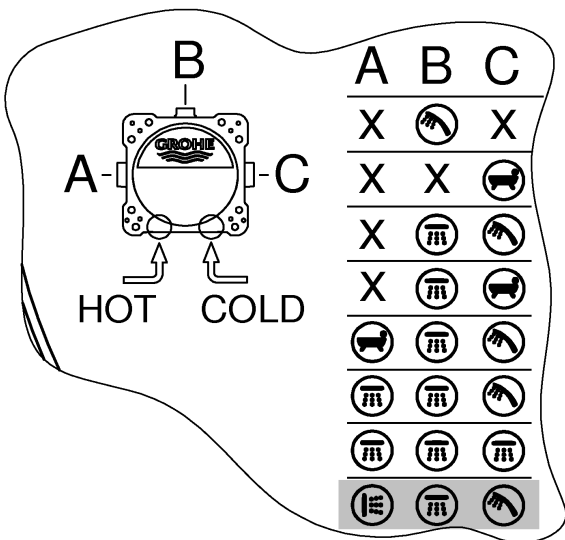
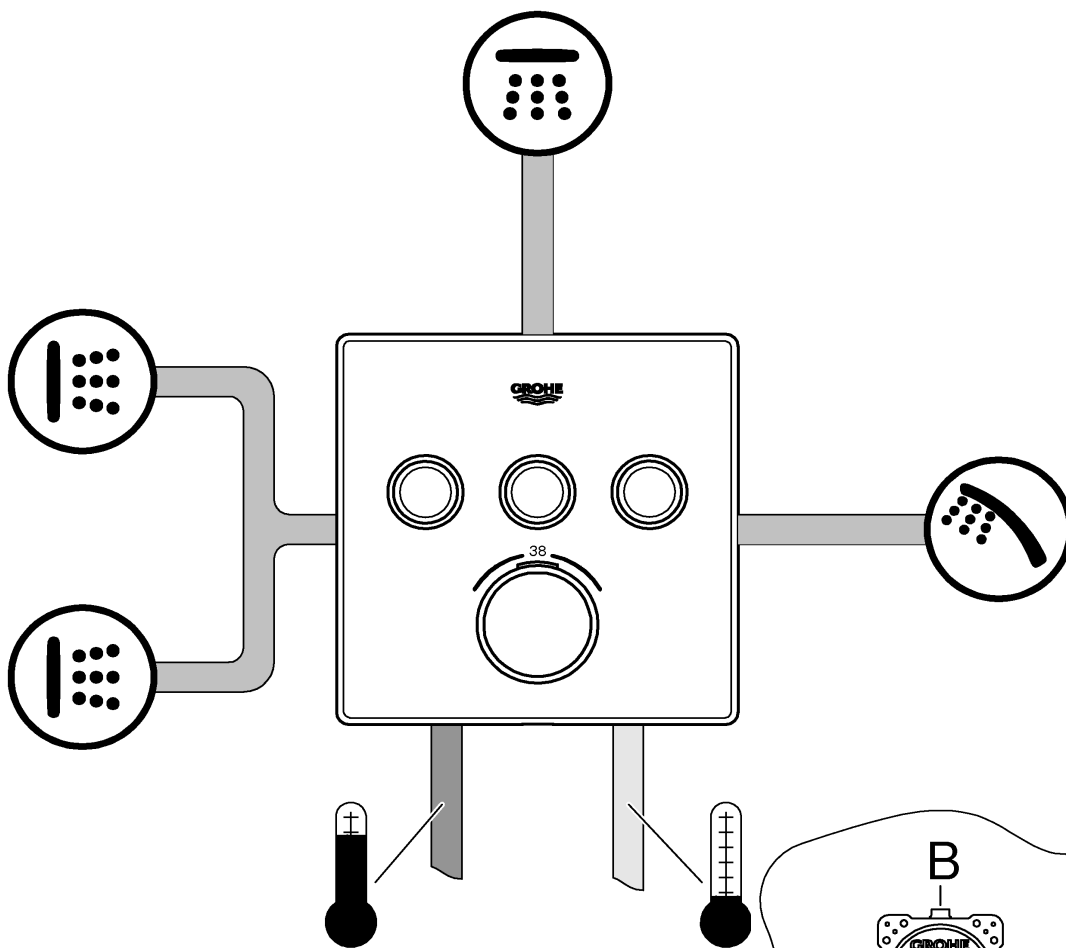
	kPa						l/min
	100	200	300	400	500	600	
A	13,3	18,8	23	26,6	29,7	32,5	
B	15,6	22	27	31,2	34,9	38,2	
C	13,3	18,8	23	26,6	29,7	32,5	
A+B	19,1	26,9	33	38,1	42,6	46,7	
A+B+C	20,8	29,4	36	41,6	46,5	50,9	



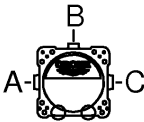
	kPa						l/min
	100	200	300	400	500	600	
A	13,3	18,8	23	26,6	29,7	32,5	
B	15,6	22	27	31,2	34,9	38,2	
C	13,3	18,8	23	26,6	29,7	32,5	
A+B	19,1	26,9	33	38,1	42,6	46,7	
A+B+C	20,8	29,4	36	41,6	46,5	50,9	

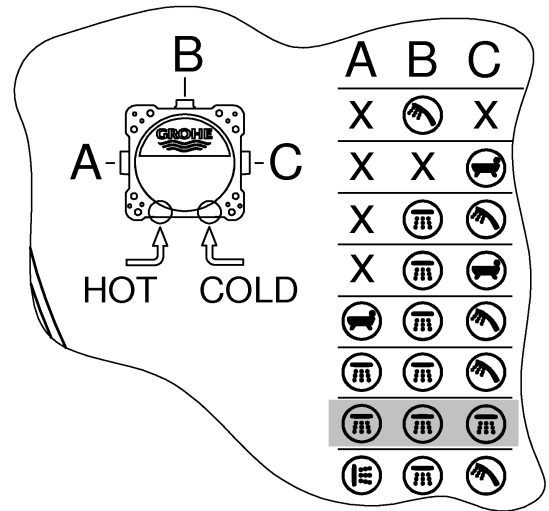
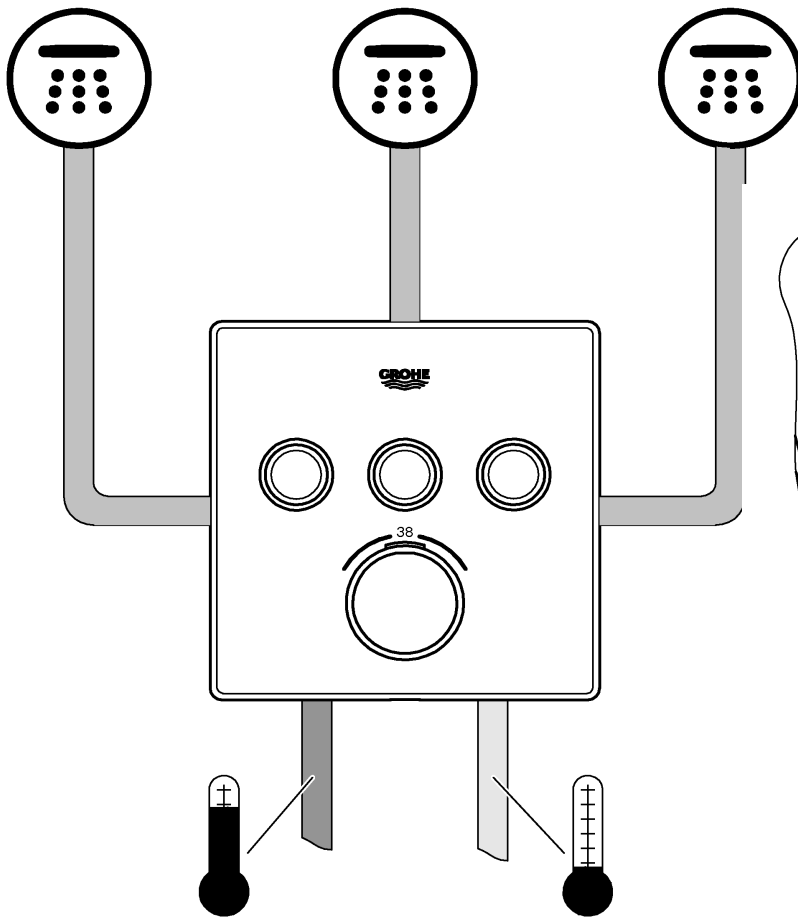


	kPa						l/min
	100	200	300	400	500	600	
A	13,3	18,8	23	26,6	29,7	32,5	
B	15,6	22	27	31,2	34,9	38,2	
C	13,3	18,8	23	26,6	29,7	32,5	
A+B	19,1	26,9	33	38,1	42,6	46,7	
A+B+C	20,8	29,4	36	41,6	46,5	50,9	



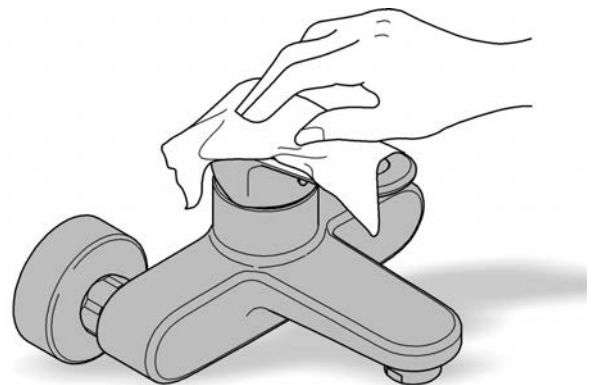
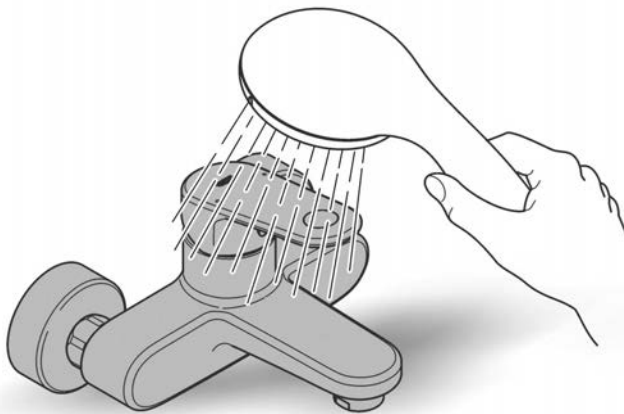
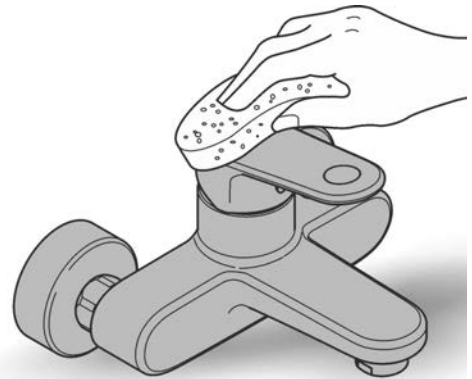


	kPa						l/min
	100	200	300	400	500	600	
A	13,3	18,8	23	26,6	29,7	32,5	
B	15,6	22	27	31,2	34,9	38,2	
C	13,3	18,8	23	26,6	29,7	32,5	
A+B	19,1	26,9	33	38,1	42,6	46,7	
A+B+C	20,8	29,4	36	41,6	46,5	50,9	

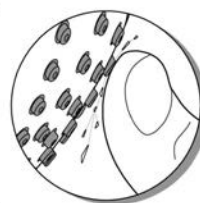




48166000



SpeedClean



Pure Freude
an Wasser

GROHE


D

+49 571 3989 333
impressum@grohe.de

A

+43 1 68060
info-at@grohe.com

AUS

+1300 054 945
grohe_australia@lixil.com

B

+32 16 230660
info.be@grohe.com

BG

+359 2 9719959
grohe-bulgaria@grohe.com

CAU

+99 412 497 09 74
info-az@grohe.com

CDN

+1 888 6447643
info@grohe.ca

CH

+41 448777300
info@grohe.ch

CN

+86 21 63758878

CY

+357 22 465200
info@grome.com

CZ

+420 277 004 190
grohe-cz@grohe.com

DK

+45 44 656800
grohe@grohe.dk

E

+34 93 3368850
grohe@grohe.es

EST

+372 6616354
grohe@grohe.ee

F

+33 1 49972900
marketing-fr@grohe.com

FIN

+358 10 8201100
teknocalor@teknocalor.fi

GB

+44 871 200 3414
info-uk@grohe.com

GR

+30 210 2712908
nsapountzis@ath.forthnet.gr

H

+36 1 2388045
info-hu@grohe.com

HK

+852 2969 7067
info@grohe.hk

I

+39 2 959401
info-it@grohe.com

IND

+91 124 4933000
customercare.in@grohe.com

IS

+354 515 4000
jonst@byko.is

J

+81 3 32989730
info@grohe.co.jp

KZ

+7 727 311 07 39
info-cac@grohe.com

LT

+372 6616354
grohe@grohe.ee

LV

+372 6616354
grohe@grohe.ee

MAL

+1 800 80 6570
info-singapore@grohe.com

N

+47 22 072070
grohe@grohe.no

NL

+31 79 3680133
vragen-nl@grohe.com

NZ

+09 415 6000
sales@monacocorp.co.nz

P

+351 234 529620
commercial-pt@grohe.com

PL

+48 22 5432640
biuro@grohe.com.pl

RI

+62 21 2358 4751
info-singapore@grohe.com

RO

+40 21 2125050
info-ro@grohe.com

ROK

+82 2 559 0790
info-singapore@grohe.com

RP

+63 2 8041617

RUS

+7 495 9819510
info@grohe.ru

S

+46 771 141314
grohe@grohe.se

SGP

+65 6 7385585
info-singapore@grohe.com

SK

+420 277 004 190
grohe-cz@grohe.com

T

+66 2610 3685
info-singapore@grohe.com

TR

+90 216 441 23 70
GroheTurkey@grome.com

UA

+38 44 5375273
info-ua@grohe.com

USA

+1 800 4447643
us-customerservice@grohe.com

VN

+84 8 5413 6840
info-singapore@grohe.com

AL **BIH** **HR** **KS**

ME **MK** **SLO** **SRB**

+385 1 2911470
adria-hr@grohe.com

**Eastern Mediterranean,
Middle East - Africa
Area Sales Office:**

+357 22 465200
info@grome.com

IR **OM** **UAE** **YEM**

+971 4 3318070
grohedubai@grome.com

Far East Area Sales Office:

+65 6311 3600
info@grohe.com.sg