

ESSENCE
WALL TOP ASSEMBLY ROUGH IN SET
MODEL # 29281000

Pure Freude
an Wasser



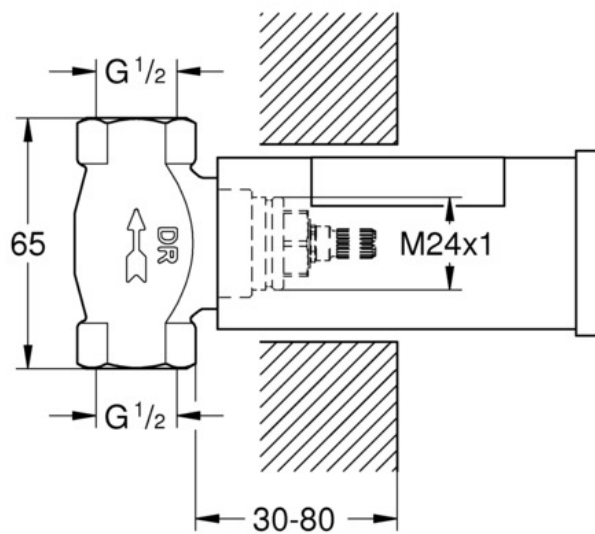
Product Specifications

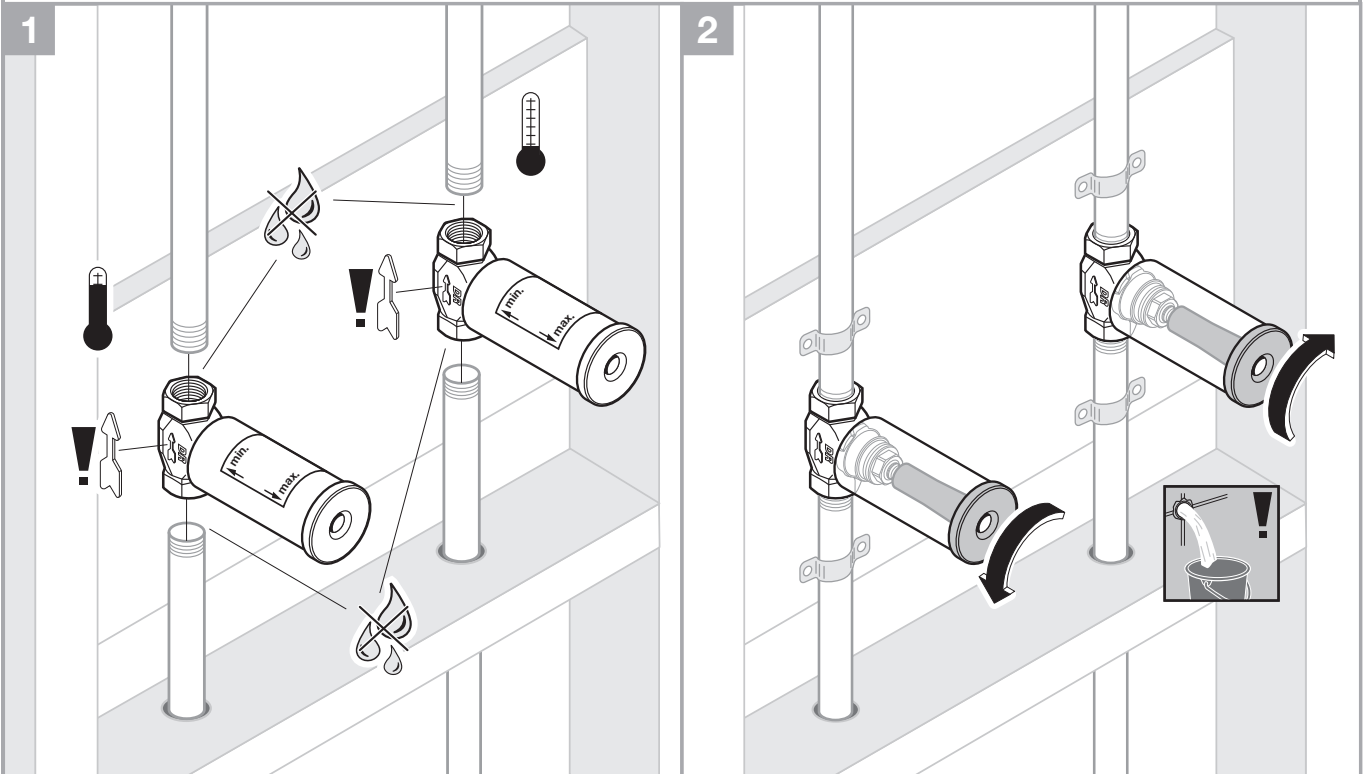
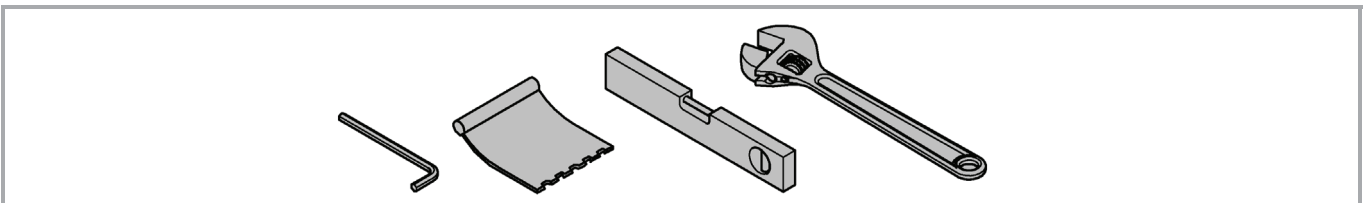
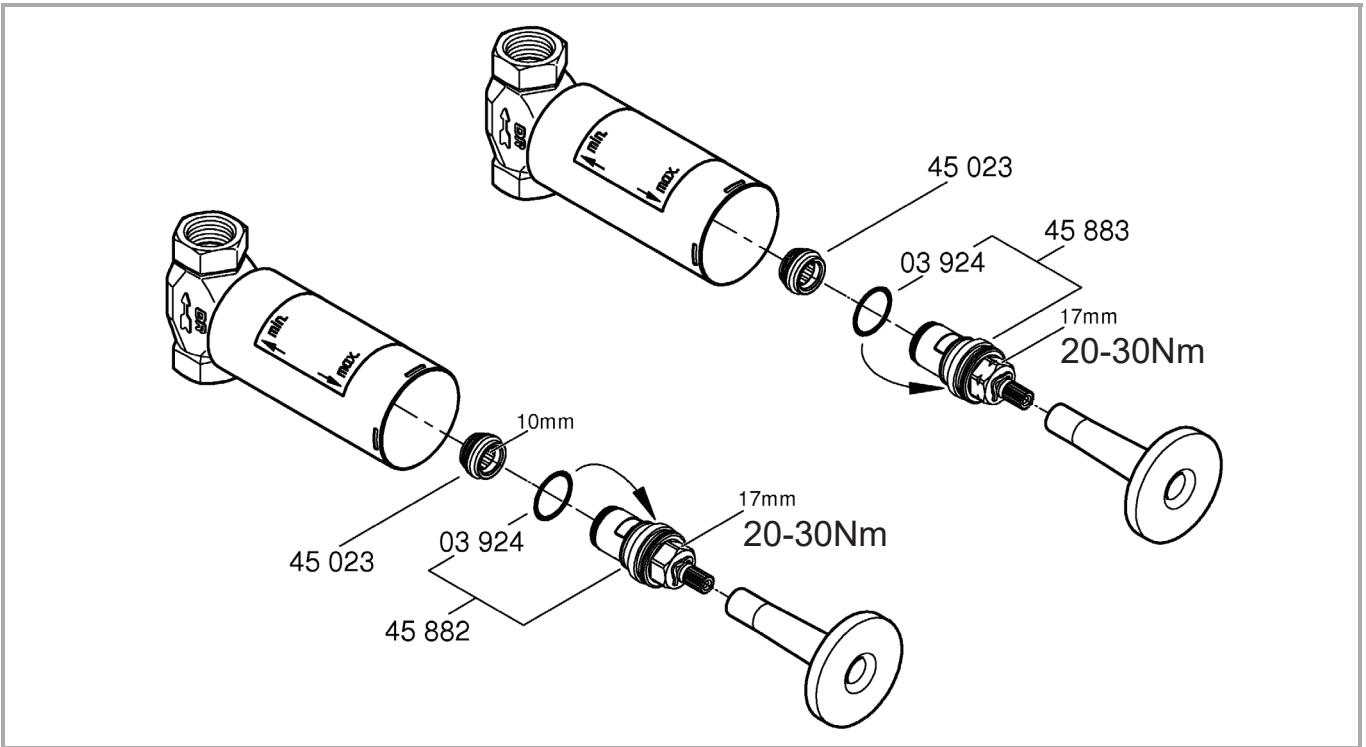


Product Description:

Essence wall top Assembly rough in set

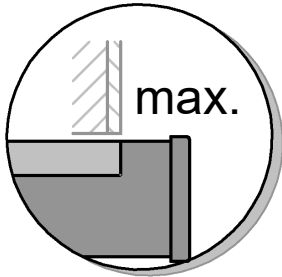
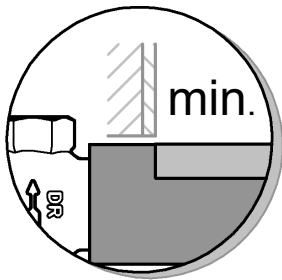
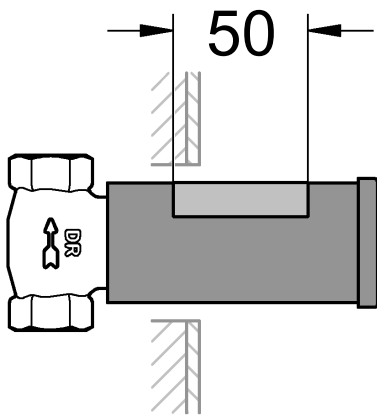
Ceramic headpart 1/2"
Ceramic sealing disks
Rotation angle 90°
Contra rotation



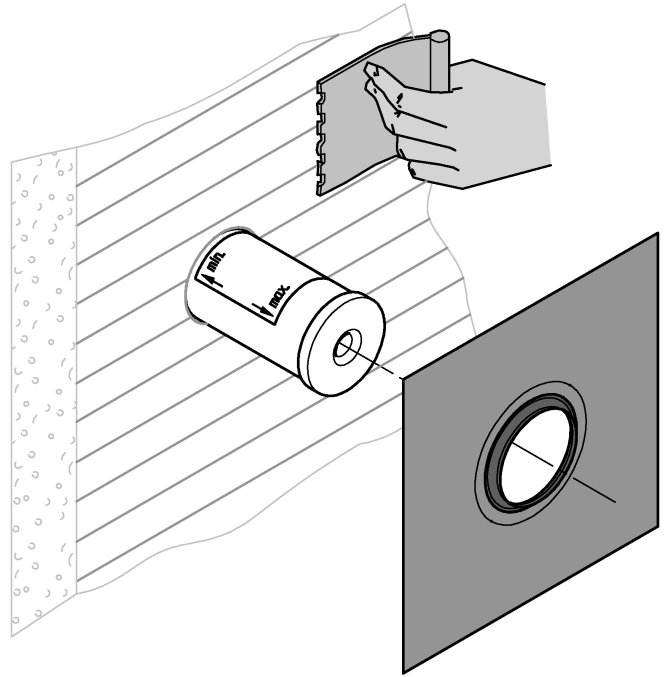




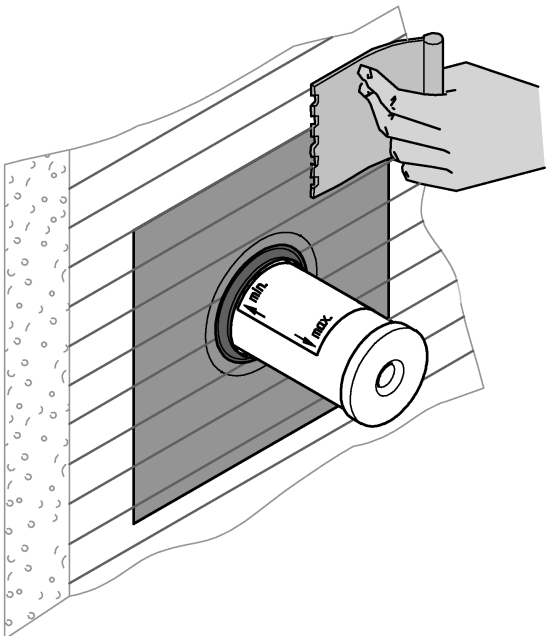
3



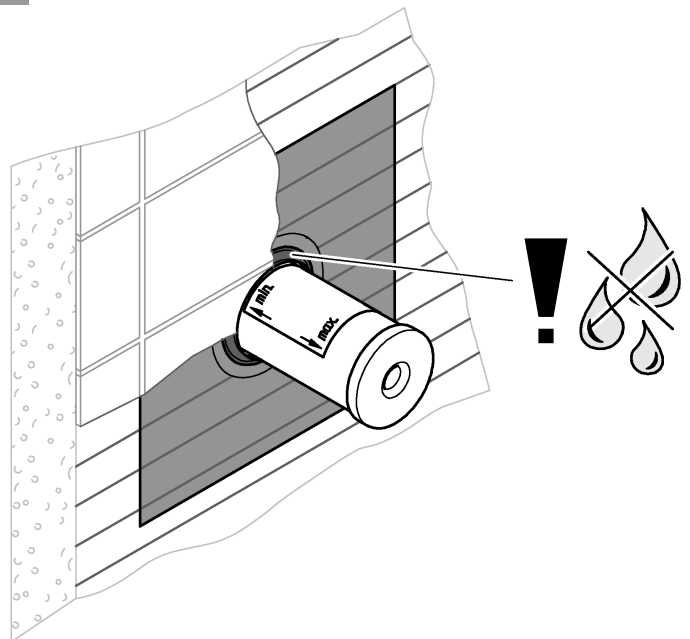
4



5



6



Application

- for bath

Can be used in conjunction with:

- Pressurised storage heaters
- Thermally controlled instantaneous heaters
- Hydraulically controlled instantaneous heaters

Operation with unpressurised storage heaters (open water heaters) is **not** possible.

Specifications

- Flow pressure min. 50 kPa
recommended 100 - 500kPa
- Operating pressure max. 1000 kPa
- Test pressure 1600 kPa

If static pressure is greater than 500 kPa, fit pressure reducer.

Avoid major pressure differences between cold and hot water supply.

- Temperature
Hot water inlet: maximum 70 °C
Recommended: (energy saving) 60 °C
- Water connection: cold - right
hot - left

Important:

Never install shut-off valves in the outlet pipe (mixed water) downstream of any built-in mixer.

Installation

Flush piping system prior and after installation of fitting thoroughly!

This product must be installed in conformance with local codes e.g. AS/NZS 3500 series of standard!

Installation and connection, see Figs [1] to [6].

Refer to the dimensional drawing.

- Stop valves with ceramic headparts are not suitable for installation as isolating valves (stop cocks).
- Screw out headparts before soldering.
- Caution: if the valve is installed not with the direction of flow as indicated on the body, it will not function properly.
- Tighten headpart with stall torque of 20-30Nm.

Open cold and hot-water supply and check connections for leakage!

Note: Do **not** remove the fitting template.

AUS

Tel.: +61 3 9274 0000

Email:
admin@reece.com.au



NZ

Tel.: +64 09 415 6000

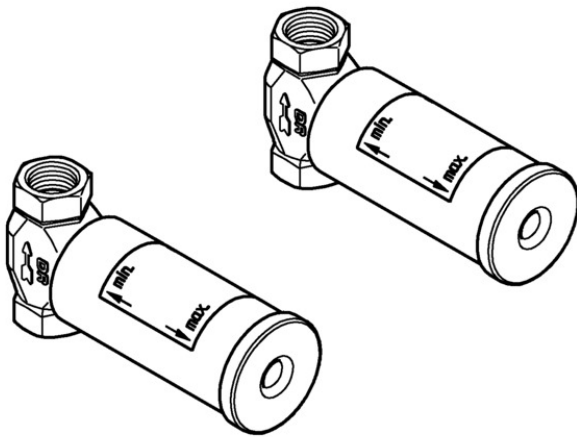
Email:
sales@monacocorp.co.nz

ESSENCE
WALL TOP ASSEMBLY ROUGH IN SET
MODEL # 29281000

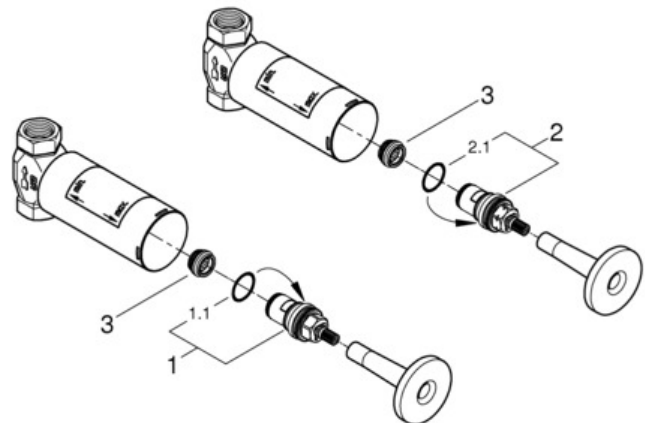
Pure Freude
an Wasser



Spare Parts

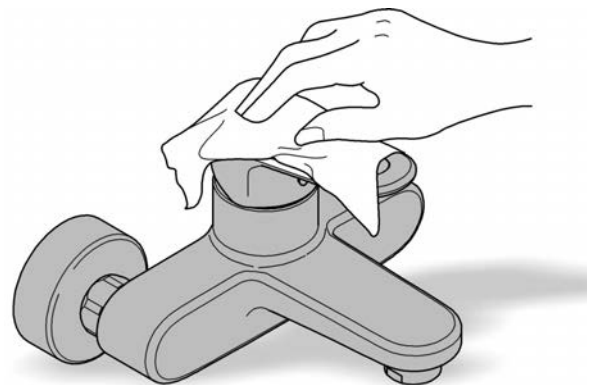
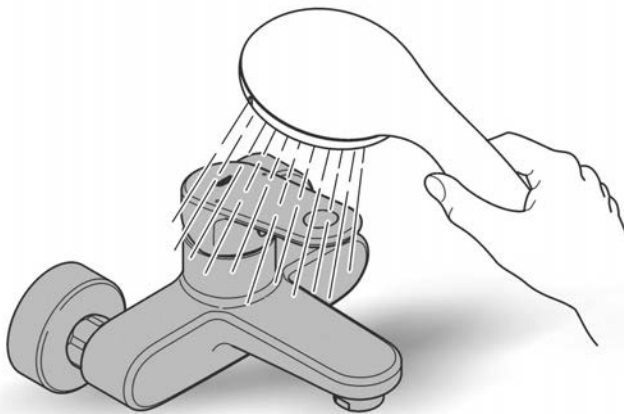
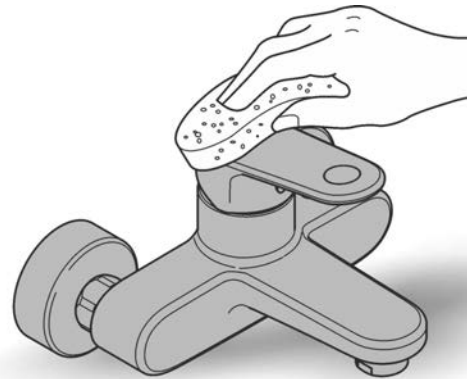


Pos.-nr.	Product Description	Order-nr.	Units per package
1	Spindle	45882000	1
1.1	Washer	03924000	1
2	Spindle	45883000	1
2.1	Washer	03924000	1
3	Seat	45023000	1

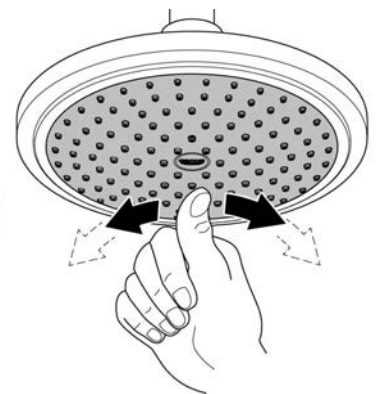




48166000



SpeedClean



Pure Freude
an Wasser

GROHE


D

+49 571 3989 333
impressum@grohe.de

A

+43 1 68060
info-at@grohe.com

AUS

+1300 054 945
grohe_australia@lixil.com

B

+32 16 230660
info.be@grohe.com

BG

+359 2 9719959
grohe-bulgaria@grohe.com

CAU

+99 412 497 09 74
info-az@grohe.com

CDN

+1 888 6447643
info@grohe.ca

CH

+41 448777300
info@grohe.ch

CN

+86 21 63758878

CY

+357 22 465200
info@grome.com

CZ

+420 277 004 190
grohe-cz@grohe.com

DK

+45 44 656800
grohe@grohe.dk

E

+34 93 3368850
grohe@grohe.es

EST

+372 6616354
grohe@grohe.ee

F

+33 1 49972900
marketing-fr@grohe.com

FIN

+358 10 8201100
teknocalor@teknocalor.fi

GB

+44 871 200 3414
info-uk@grohe.com

GR

+30 210 2712908
nsapountzis@ath.forthnet.gr

H

+36 1 2388045
info-hu@grohe.com

HK

+852 2969 7067
info@grohe.hk

I

+39 2 959401
info-it@grohe.com

IND

+91 124 4933000
customercare.in@grohe.com

IS

+354 515 4000
jonst@byko.is

J

+81 3 32989730
info@grohe.co.jp

KZ

+7 727 311 07 39
info-cac@grohe.com

LT

+372 6616354
grohe@grohe.ee

LV

+372 6616354
grohe@grohe.ee

MAL

+1 800 80 6570
info-singapore@grohe.com

N

+47 22 072070
grohe@grohe.no

NL

+31 79 3680133
vragen-nl@grohe.com

NZ

+09 415 6000
sales@monacocorp.co.nz

P

+351 234 529620
commercial-pt@grohe.com

PL

+48 22 5432640
biuro@grohe.com.pl

RI

+62 21 2358 4751
info-singapore@grohe.com

RO

+40 21 2125050
info-ro@grohe.com

ROK

+82 2 559 0790
info-singapore@grohe.com

RP

+63 2 8041617

RUS

+7 495 9819510
info@grohe.ru

S

+46 771 141314
grohe@grohe.se

SGP

+65 6 7385585
info-singapore@grohe.com

SK

+420 277 004 190
grohe-cz@grohe.com

T

+66 2610 3685
info-singapore@grohe.com

TR

+90 216 441 23 70
GroheTurkey@grome.com

UA

+38 44 5375273
info-ua@grohe.com

USA

+1 800 4447643
us-customerservice@grohe.com

VN

+84 8 5413 6840
info-singapore@grohe.com

AL **BIH** **HR** **KS**

ME **MK** **SLO** **SRB**

+385 1 2911470
adria-hr@grohe.com

**Eastern Mediterranean,
Middle East - Africa
Area Sales Office:**

+357 22 465200
info@grome.com

IR **OM** **UAE** **YEM**

+971 4 3318070
grohedubai@grome.com

Far East Area Sales Office:

+65 6311 3600
info@grohe.com.sg