

GROTHERM SMARTCONTROL
3 BUTTON CONTROL THERMOSTATIC MIXING VALVE
MODEL #29138GN0

Pure Freude
an Wasser



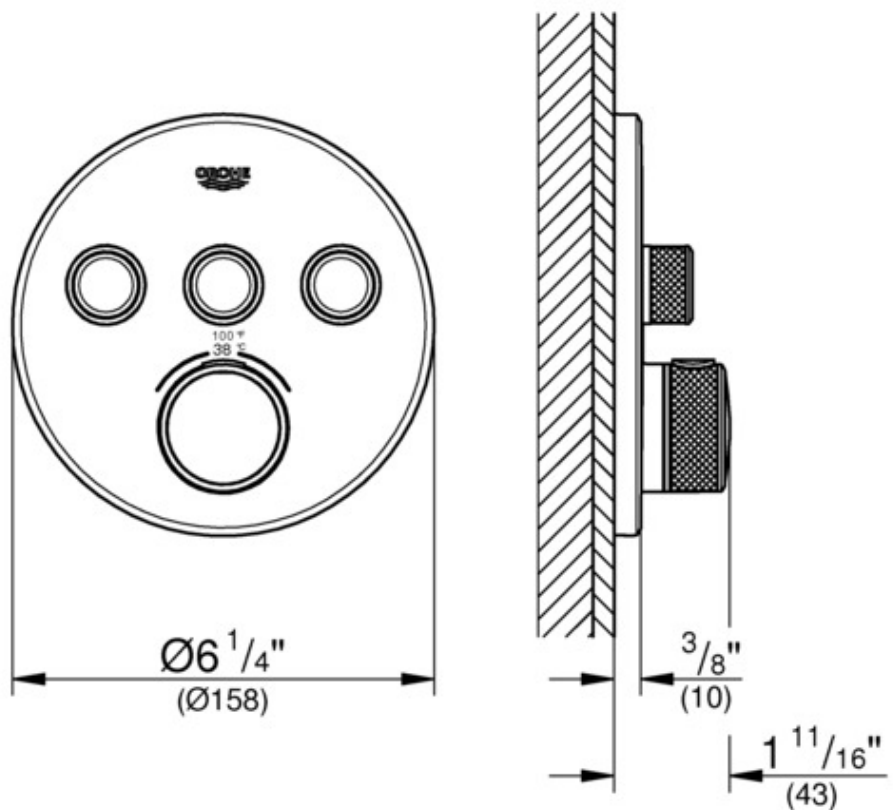
Product Specifications



Product description

Grotherm SmartControl
Thermostat for concealed installation with 3 valves
Requires Rough-in-set for final installation GROHE Rapido SmartBox 35 602 000
Metal wall escutcheon with GROHE QuickFix (covered escutcheon and shaft sealing, covered fixing), retroactively 6° adjustable
GROHE StarLight PVD Brushed Cool Sunrise
GROHE SmartControl push for ON-OFF, turn for volume adjustment from EcoJoy to Full Flow, exchangeable symbols
GROHE TurboStat compact cartridge with wax thermostatic element
GROHE SafeStop safety button at 38°C
GROHE SafeStop Plus maximum temperature limiter at 43° C
Built-in non return valves and dirt strainers
Multiple outlets can be run simultaneously
Without roughing-in-set

Flow performance:
outlet A = 23 l/min
outlet B = 27 l/min
outlet C = 23 l/min

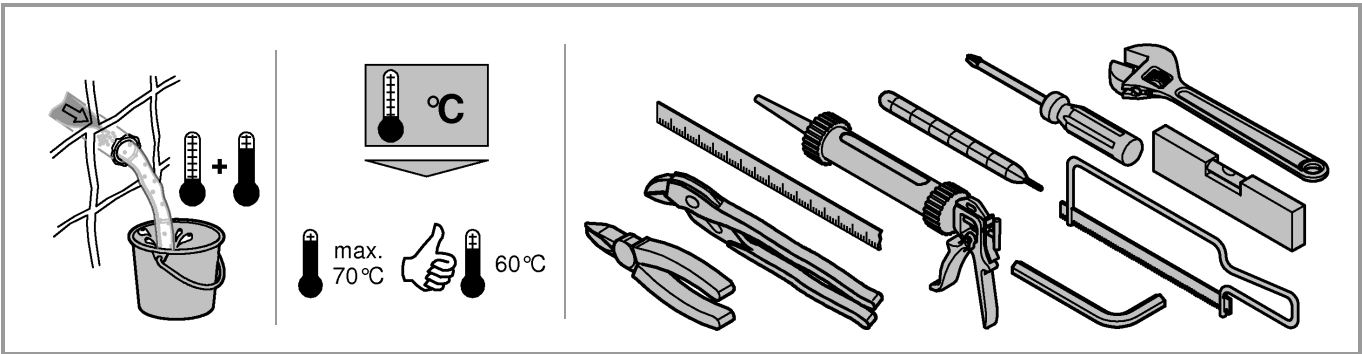


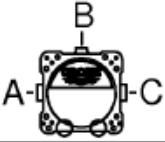
GROTHERM SMARTCONTROL
 3 BUTTON CONTROL THERMOSTATIC MIXING VALVE
 MODEL #29138GN0

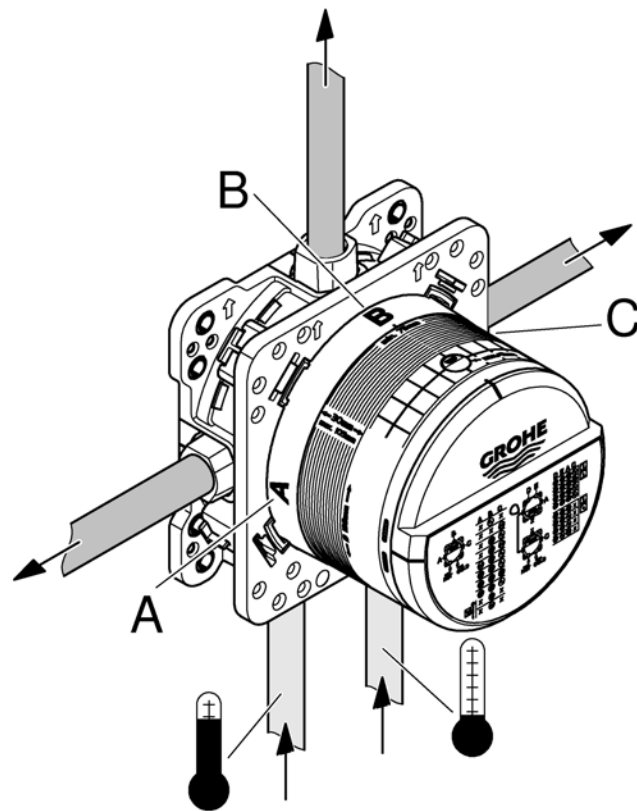
Pure Freude
 an Wasser



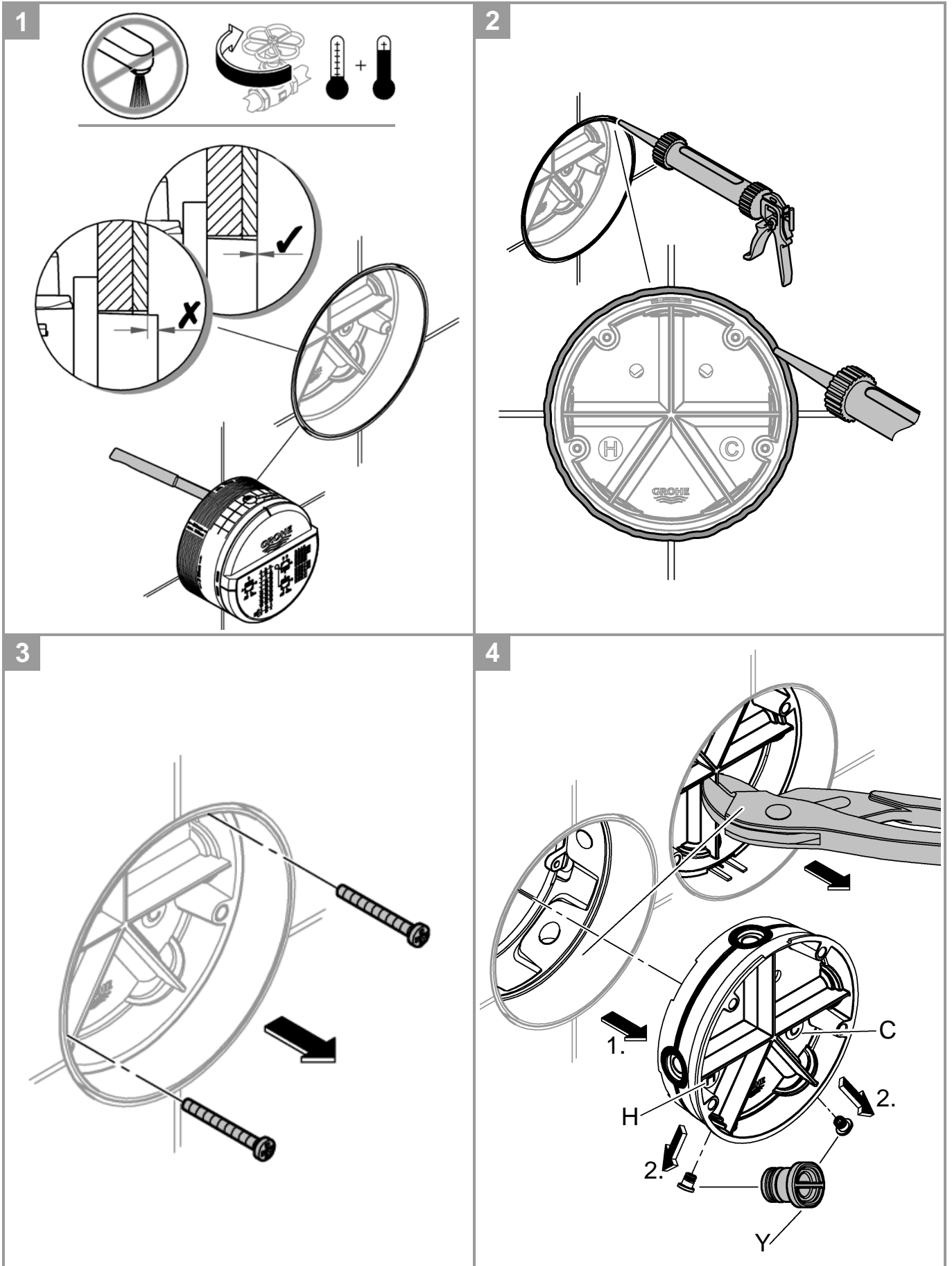
Installation Instructions



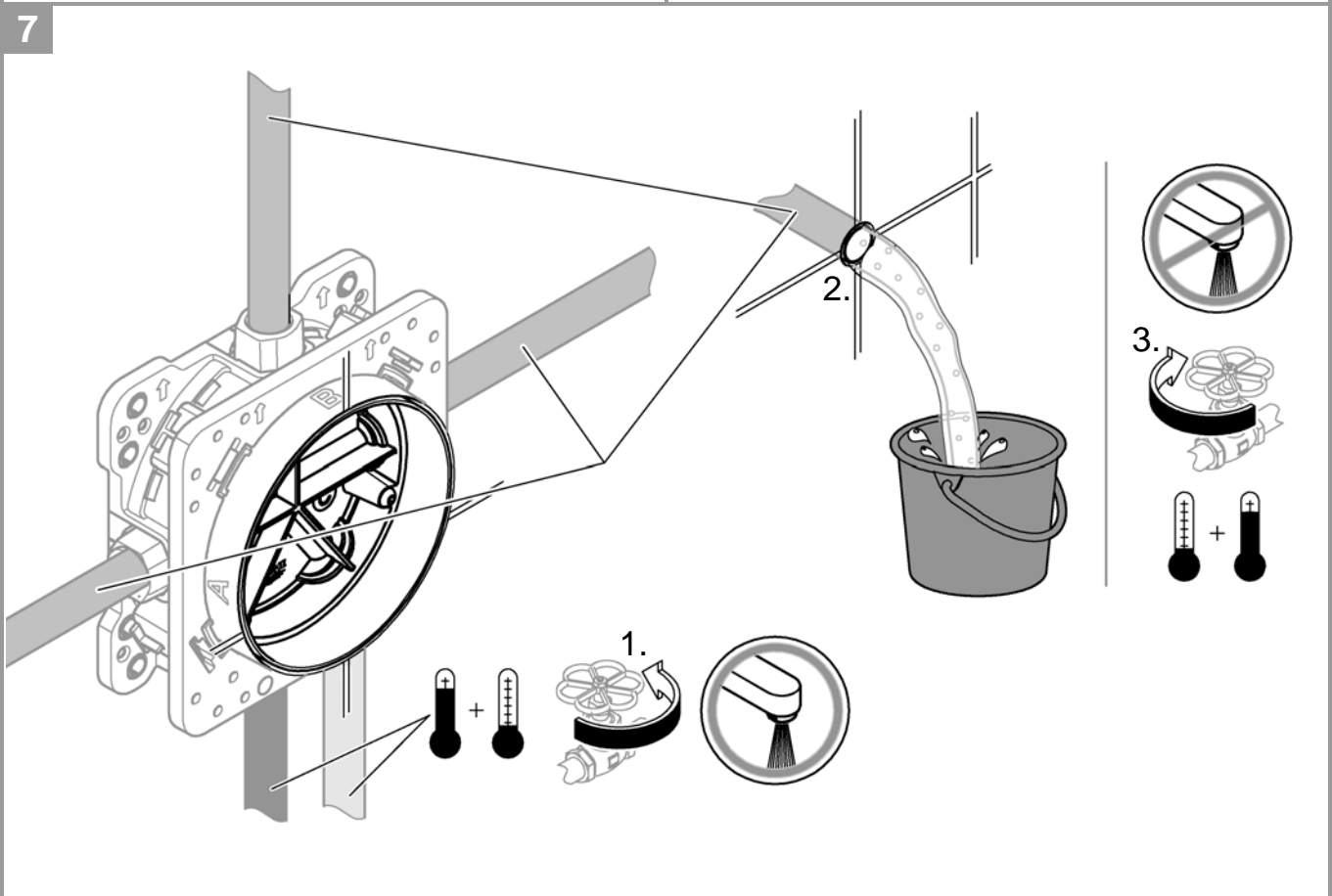
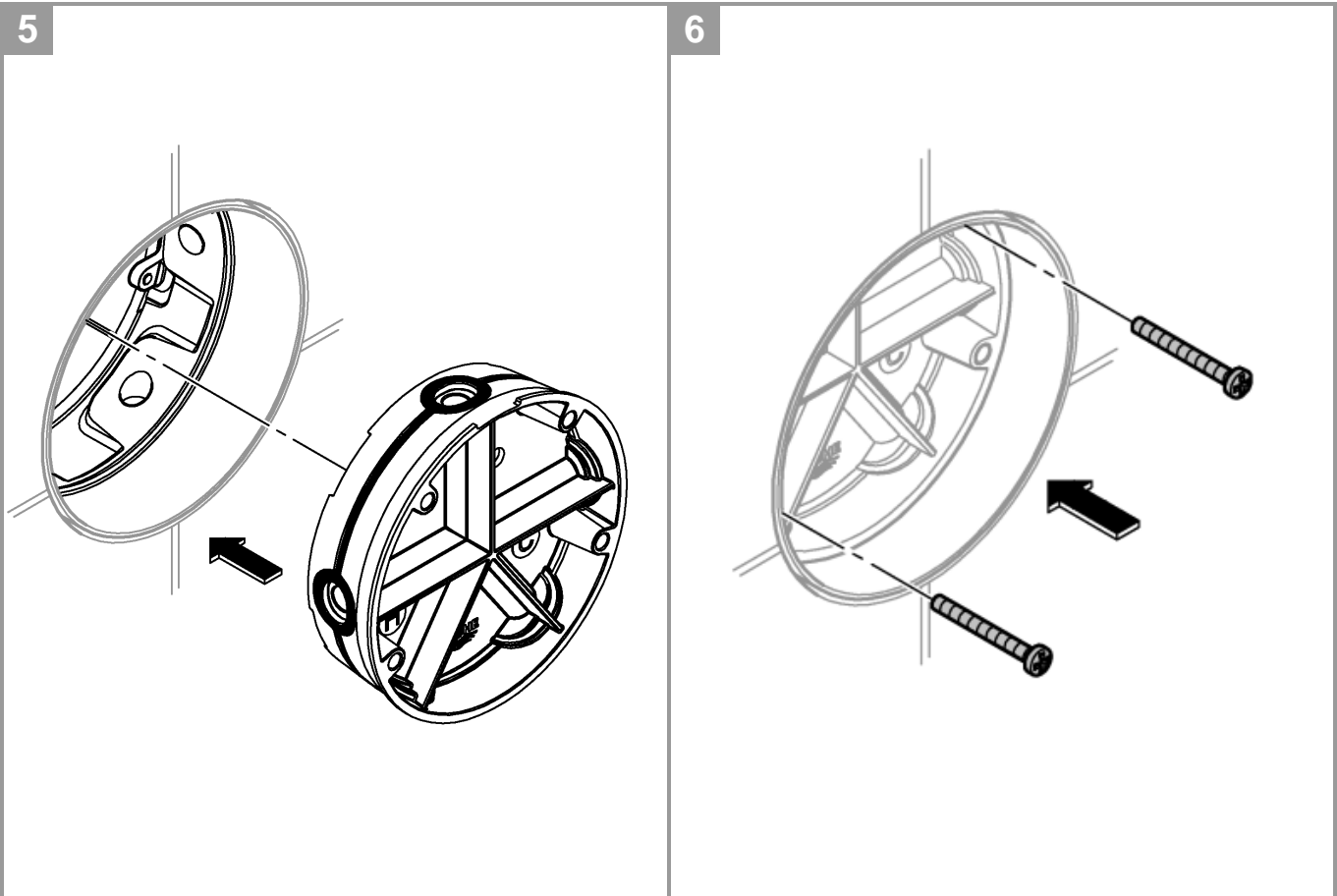
	kPa						l/min
	100	200	300	400	500	600	
A	13,3	18,8	23	26,6	29,7	32,5	
B	15,6	22	27	31,2	34,9	38,2	
C	13,3	18,8	23	26,6	29,7	32,5	
A+B	19,1	26,9	33	38,1	42,6	46,7	
A+B+C	20,8	29,4	36	41,6	46,5	50,9	



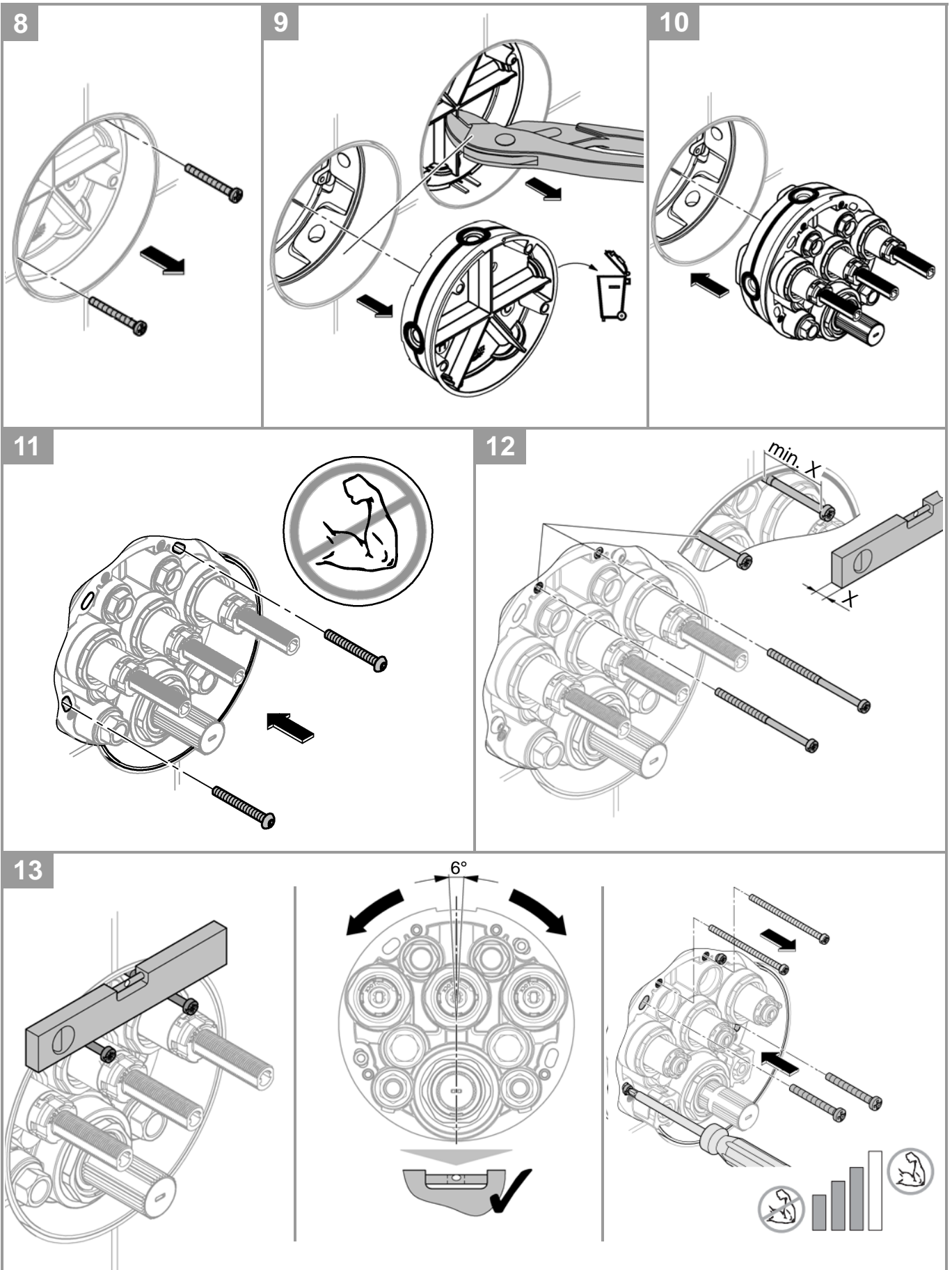
Installation Instructions



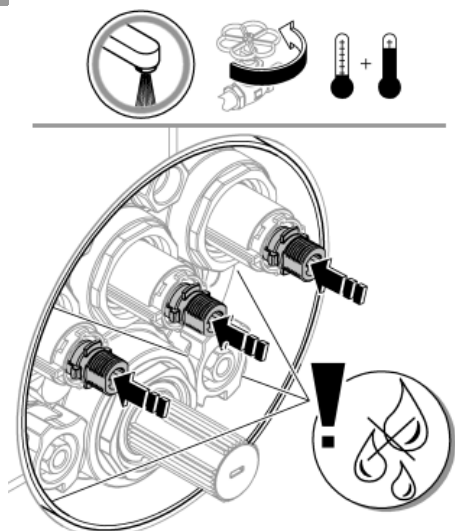
Installation Instructions



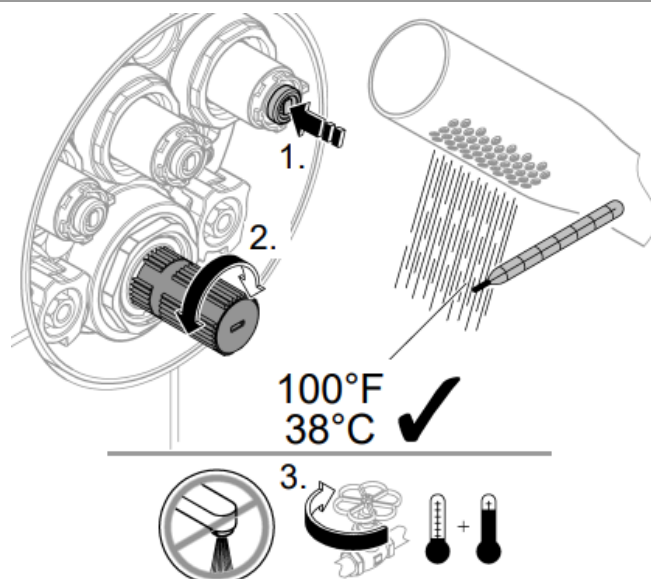
Installation Instructions



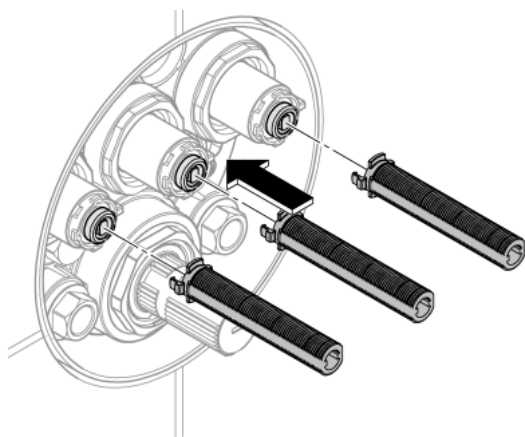
14



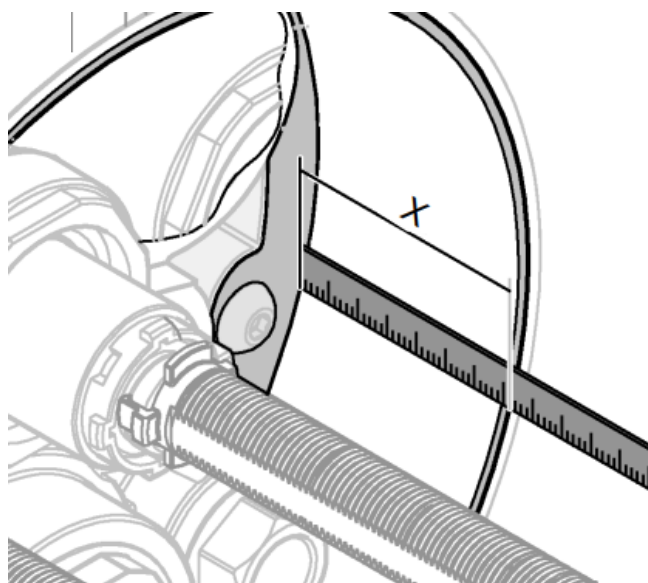
15



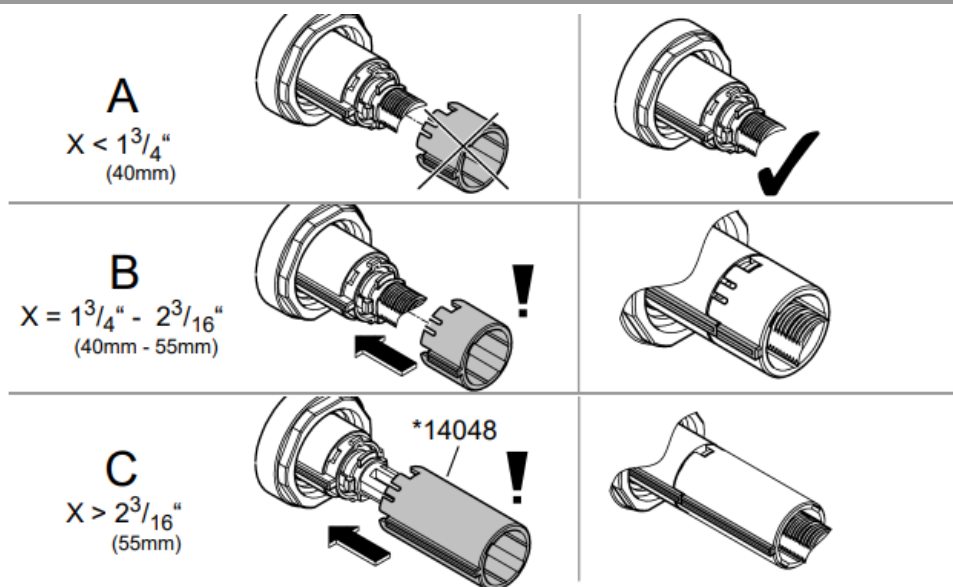
16



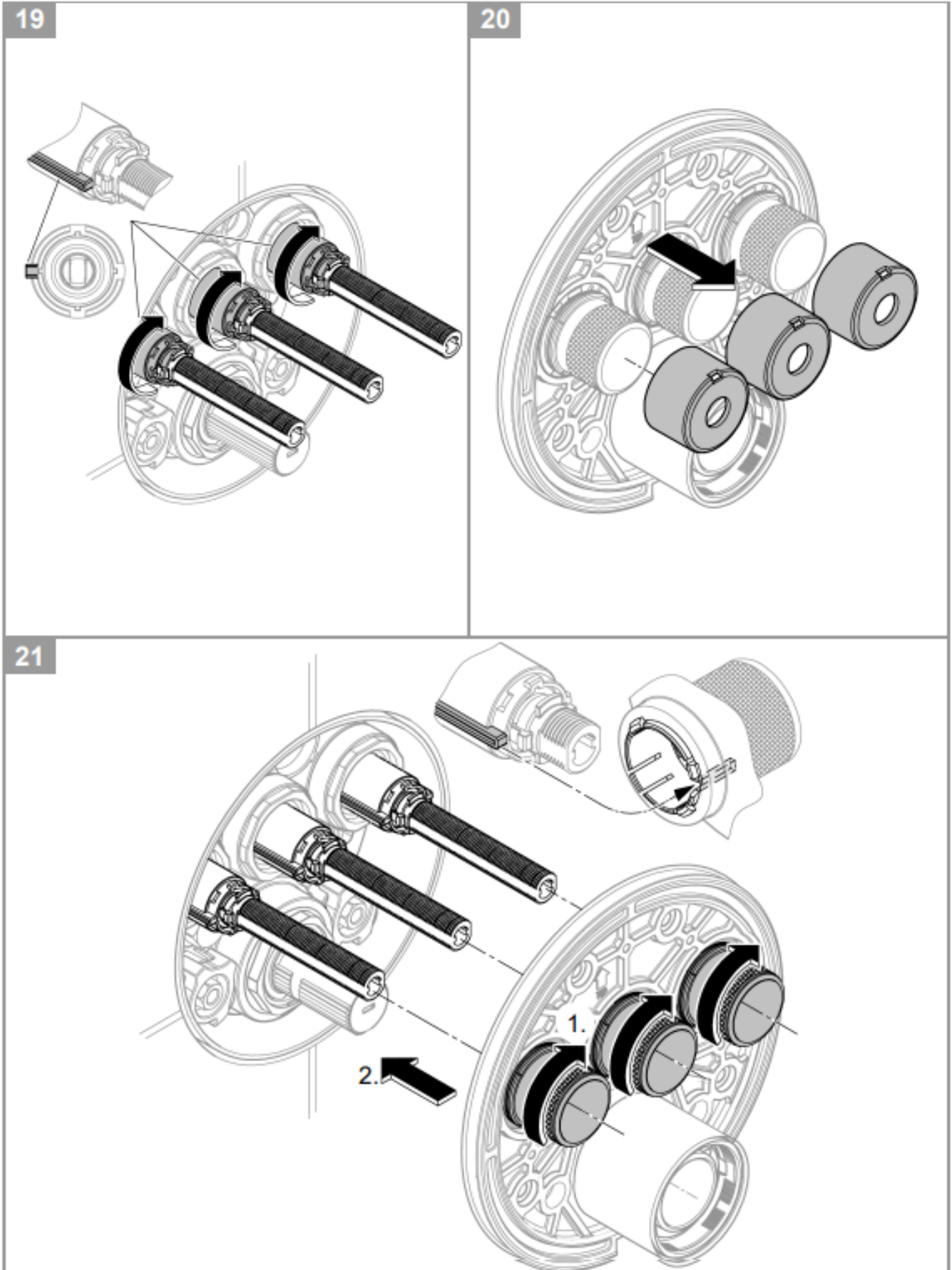
17



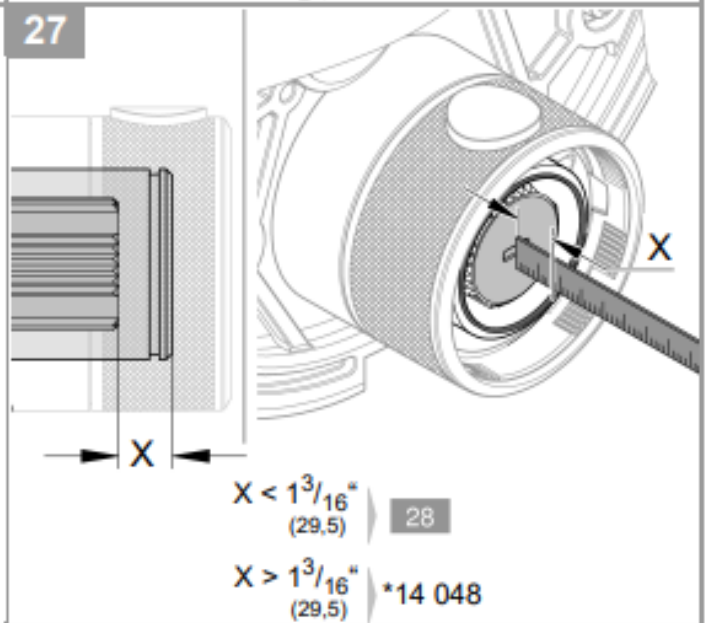
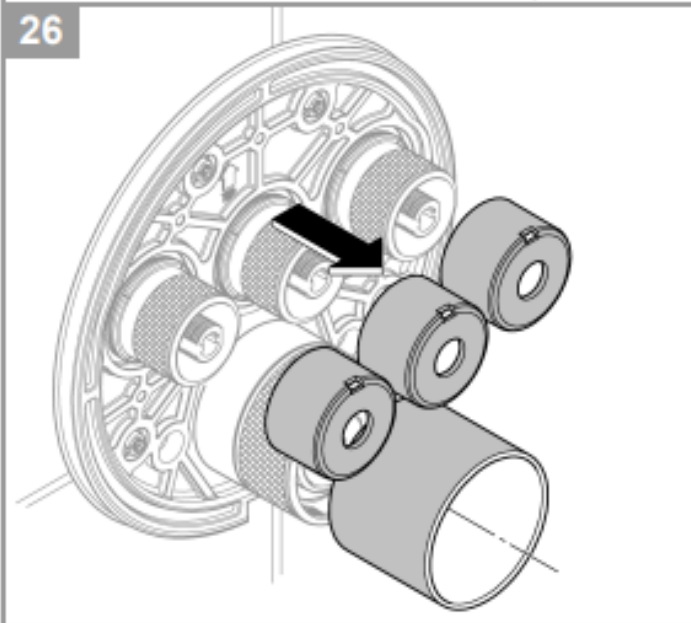
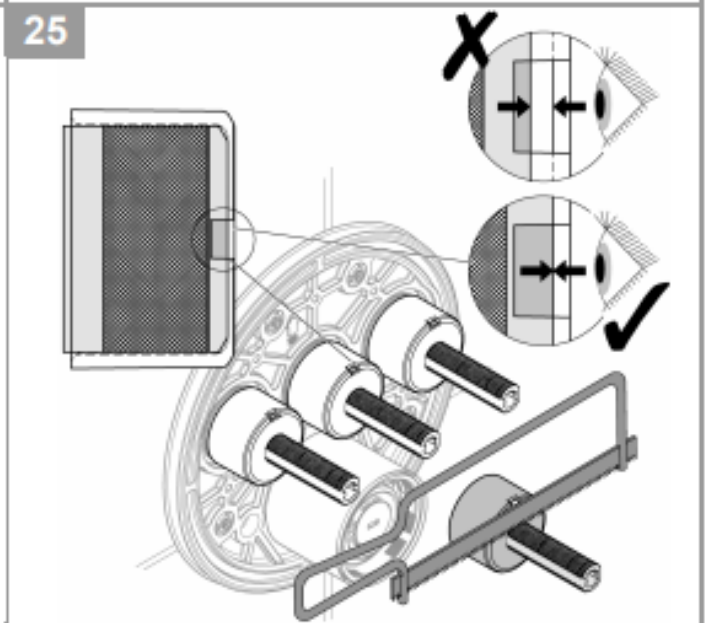
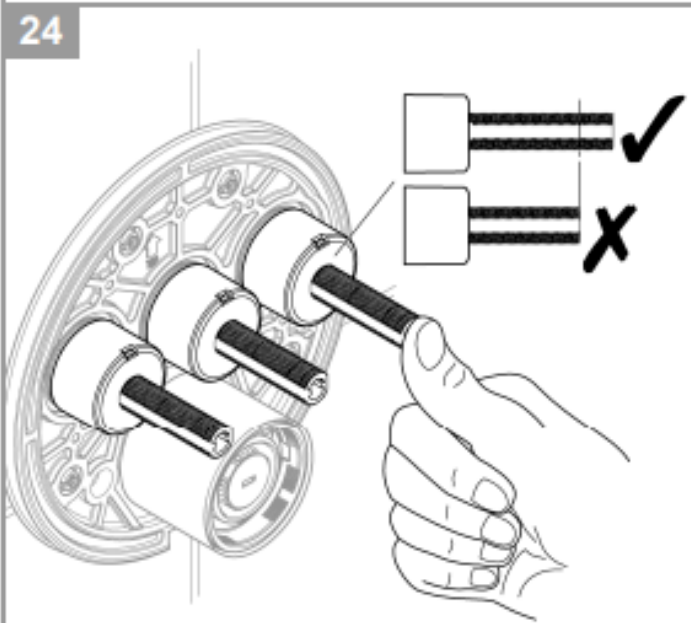
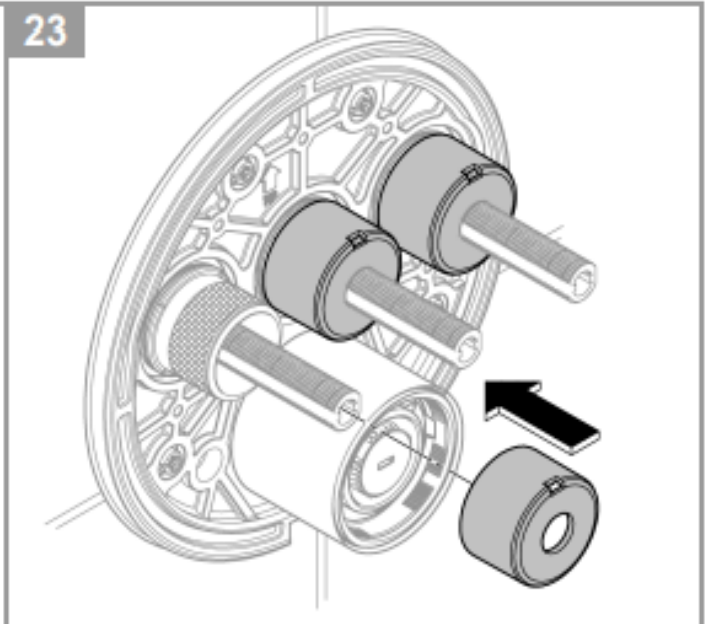
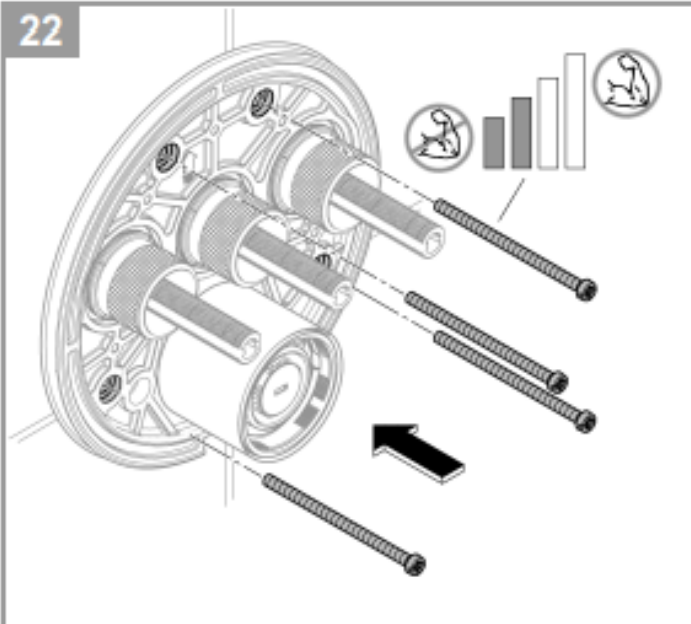
18



Installation Instructions

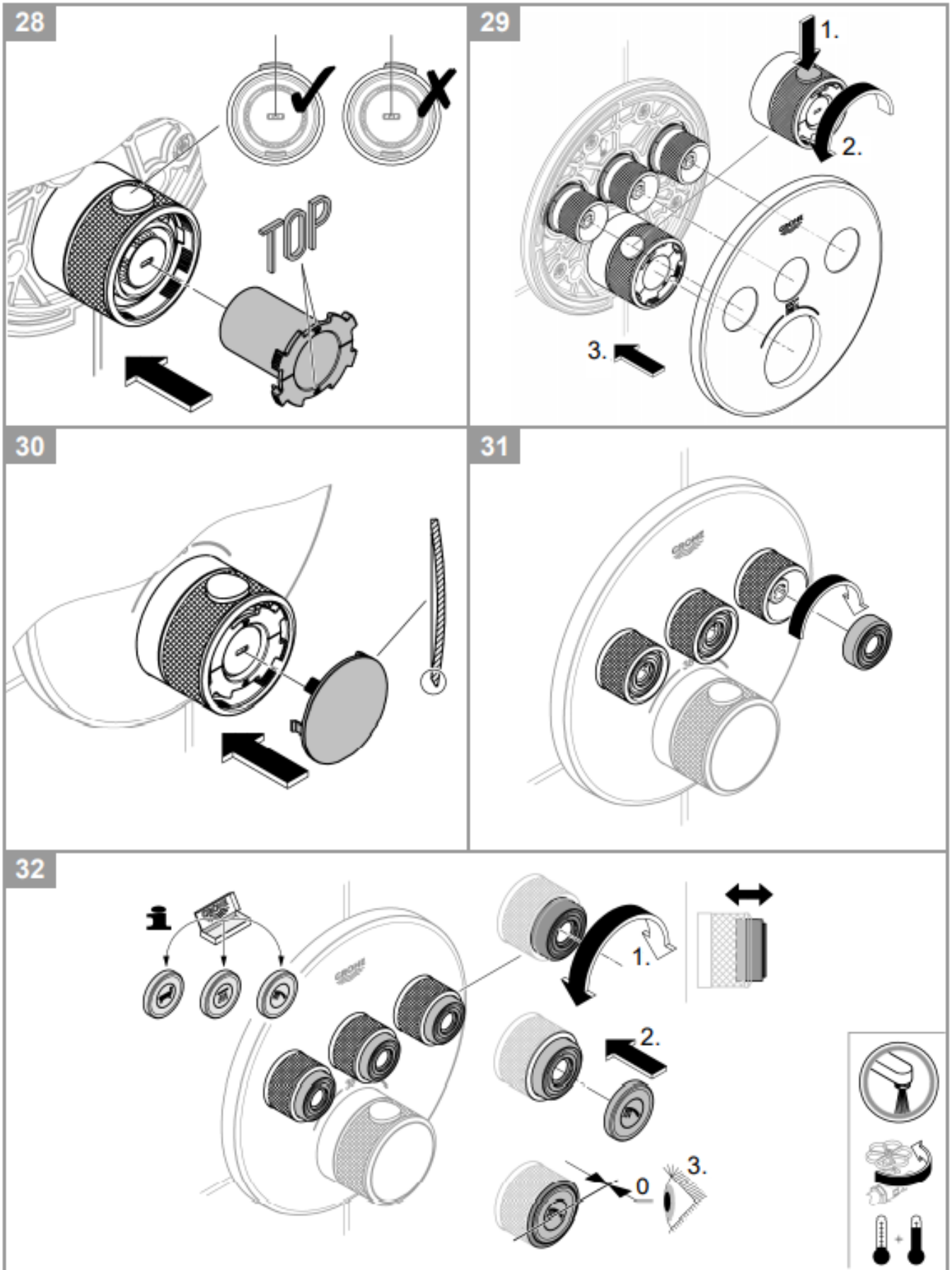


Installation Instructions





Installation Instructions



Installation Instructions

Safety information



Avoiding scalding

It is recommended that thermostatic devices able to limit the water temperature to 43 °C be installed at points of discharge with special attention to the outlet temperature (hospitals, schools, nursing and retirement homes). This product is equipped with a temperature end stop. It is generally recommended that the temperature of shower systems not exceed 38 °C in nurseries and specific areas in care homes. Use Grohtherm Special thermostats with special handles for facilitating thermal disinfection and with an appropriate safety end stop. Applicable standards (e.g. EN 806-2) and technical regulations for potable water must be observed.

Technical Data

• Dynamic Pressure Ratio	150:500 kPa
• Flow pressure	
- Minimum flow pressure without downstream resistances	50 kPa
- Minimum flow pressure with downstream resistances	100 kPa
- Recommended	150:500 kPa
• Minimum flow rate	5 l/min
• Temperature	
- Hot water supply	max. 70 °C
- Recommended for energy saving	60 °C
- Thermal disinfection possible	
- Safety stop	43 °C
• Hot water temperature at supply connection min. 2 °C higher than mixed water temperature	

Flow rates without downstream resistances, see page 1. **These should be observed when dimensioning the outlet!**

The following special accessories are available:

- Extension 25mm (prod. no.: 14 048)
- Isolating valves (prod. no.: 14 053)

Thermostat compact cartridge for exchanged water channels: Reversed connections, hot on right and cold on left, replace compact cartridge (prod. no.: 49 003)

Installation

This product must be installed in conformance with local codes e.g. AS/NZS 3500 & AS 4032 series of standards!

- In order to flush, remove the plugs (Y), see page 2 Fig. [4].
- Open cold and hot water supply and check connections for watertightness!
- Alignment of functional unit by 6° possible.
- Measure valves, see page 5 Fig. [18]. For a dimension larger than 18mm, the enclosed extension must be used.

Adjusting to 38 °C

- Before the mixer is put into service if the mixed water temperature measured at the point of discharge varies from the desired temperature set on the thermostat, see page 6 Fig. [20].
- Every time following maintenance on the thermostatic compact cartridge.

Temperature limitation

The safety stop limits the temperature range to 38 °C. If a higher temperature is required, the 38 °C stop can be overridden by pressing the button.

Danger of frost damage

When the domestic water system is drained, the thermostats must be drained separately since non-return valves are installed in the hot and cold water connections.

GROTHERM SMARTCONTROL
3 BUTTON CONTROL THERMOSTATIC MIXING VALVE
MODEL #29138GN0

*Pure Freude
an Wasser*



Installation Instructions

This thermostat is suitable for use with high pressure water applications. Using this product in conjunction with gravity-fed water heaters, low and unequal pressure supply systems, tempering valves & thermostatic mixing valves may result in unsatisfactory performance.

Suitable for High Pressure applications 150kPa – 500kPa

Care must be taken by the installing tradesperson to ensure connecting threads do not damage the flow controller when installing this product.

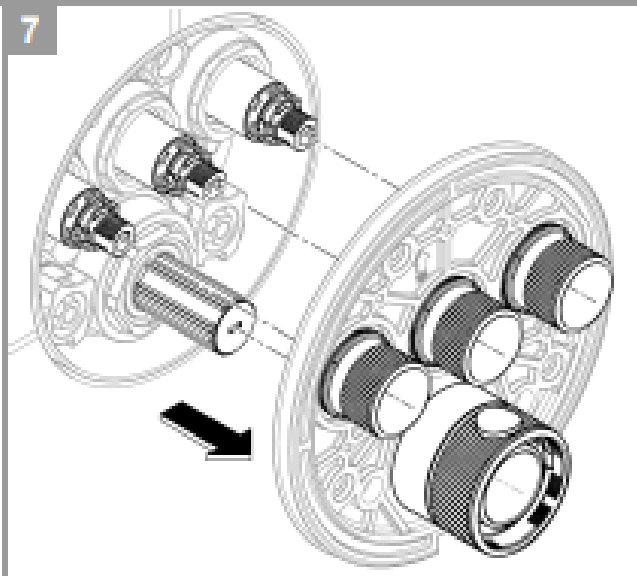
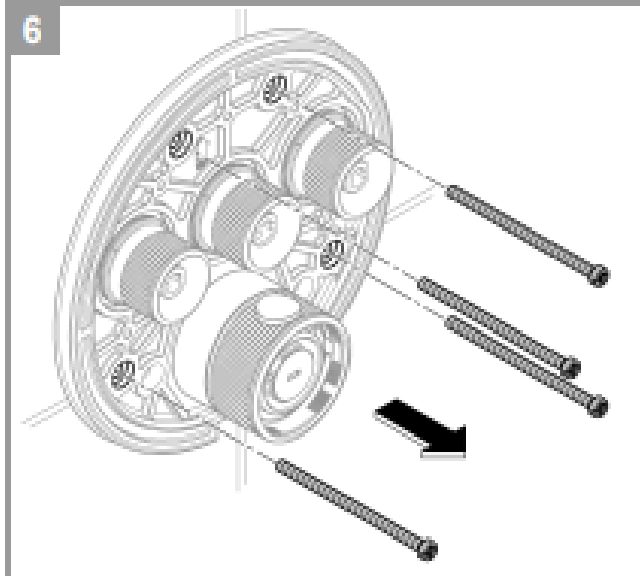
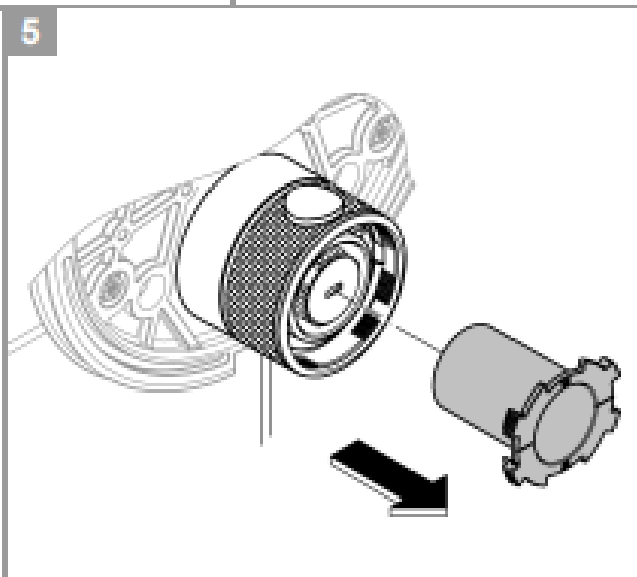
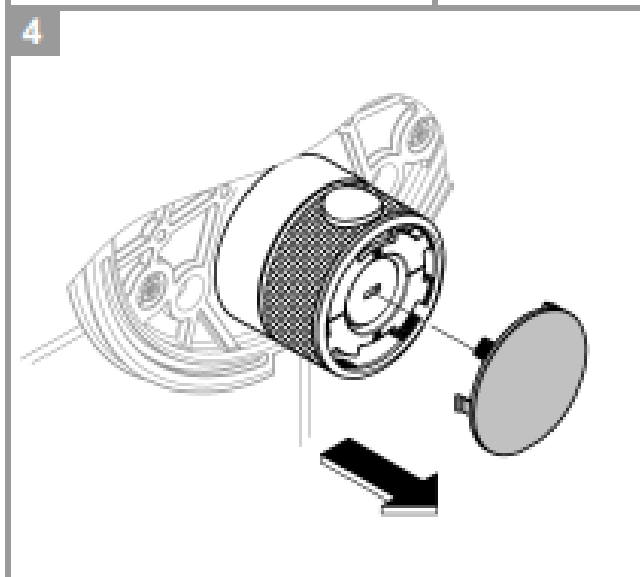
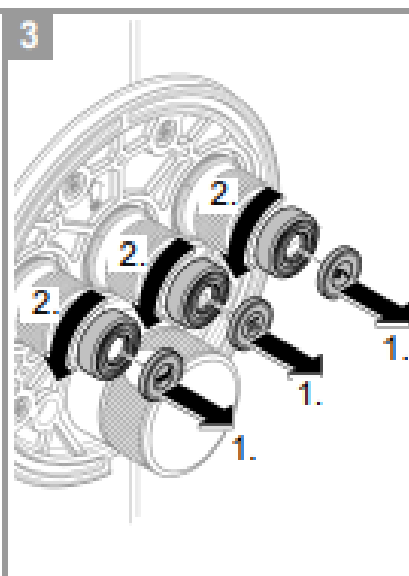
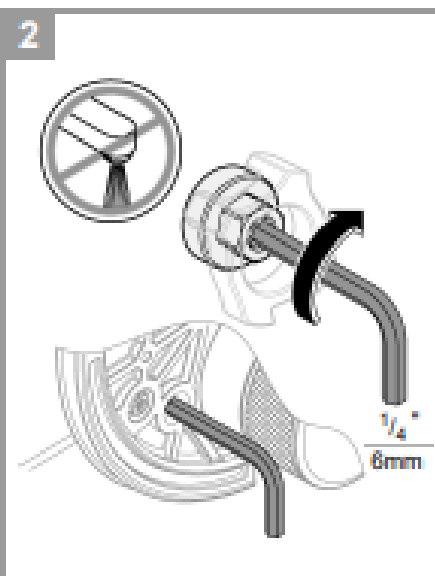
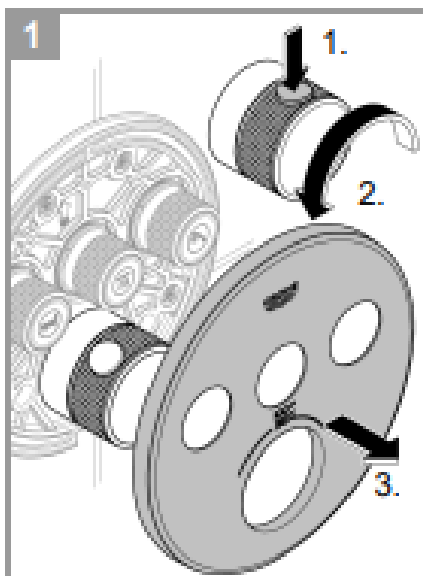
The installation tradesperson must ensure they install this product in accordance with AS/NZS 3500 and all other relating AS/NZS regulations that apply to the installation of this product.

Maximum static pressure of 500kPa.

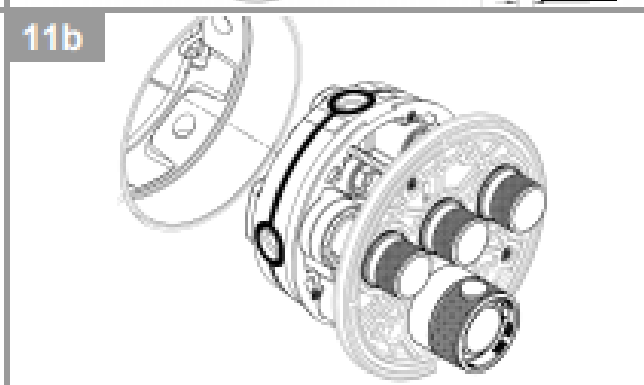
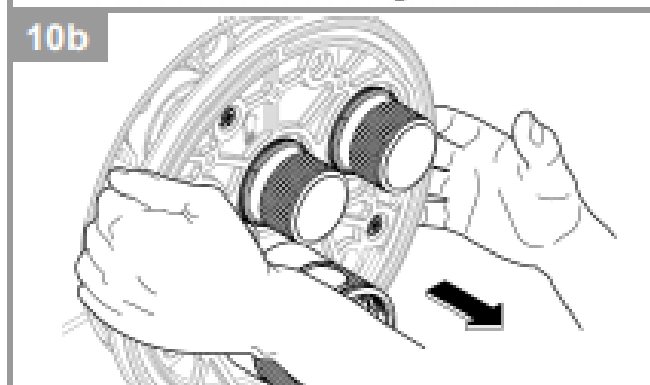
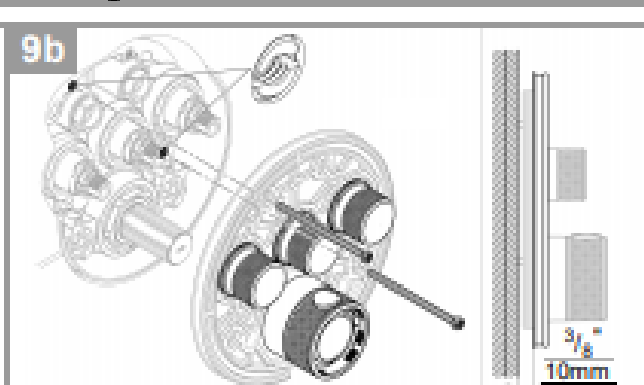
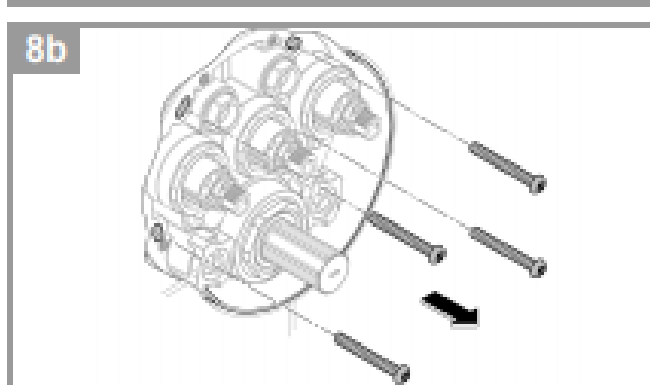
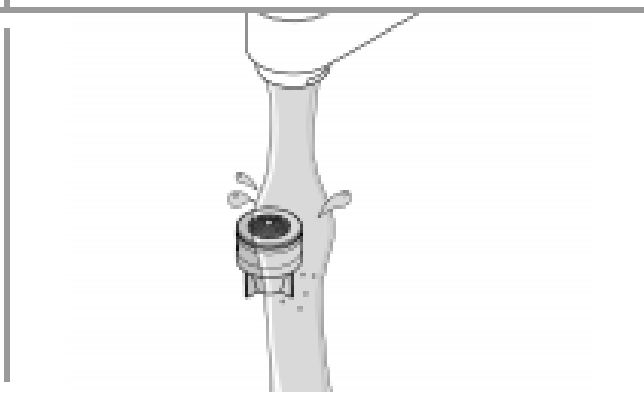
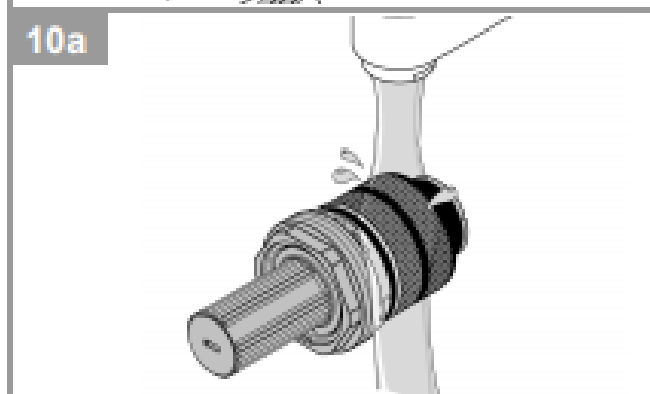
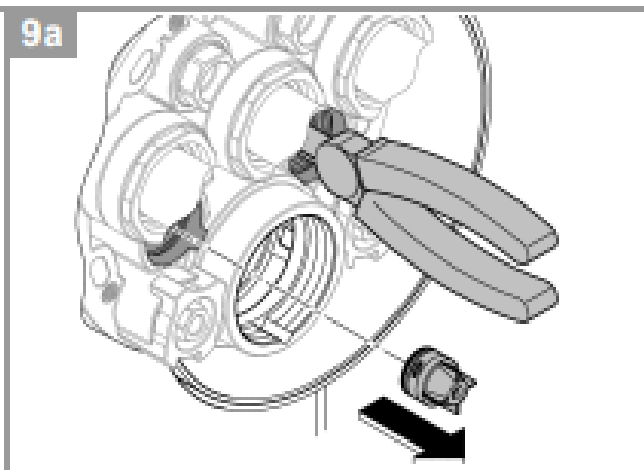
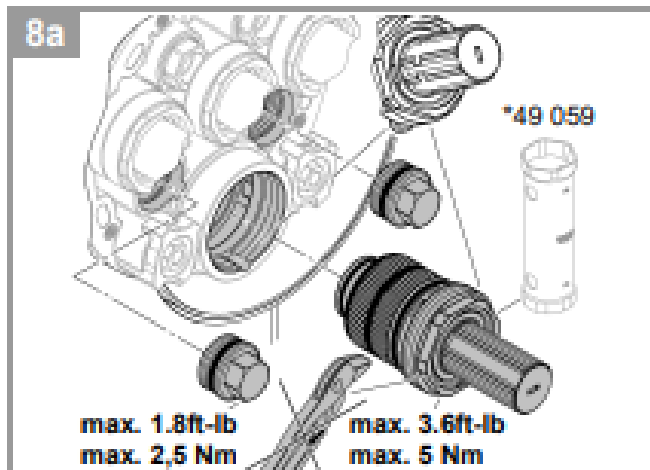
For applications where 500kPa static pressure is exceeded, a suitably certified pressure limiting valve must be installed to prevent high pressure damaging this product.

All servicing and maintenance must be carried out with accordance to AS/NZS3500 and AS4032 standards.

Servicing Instructions

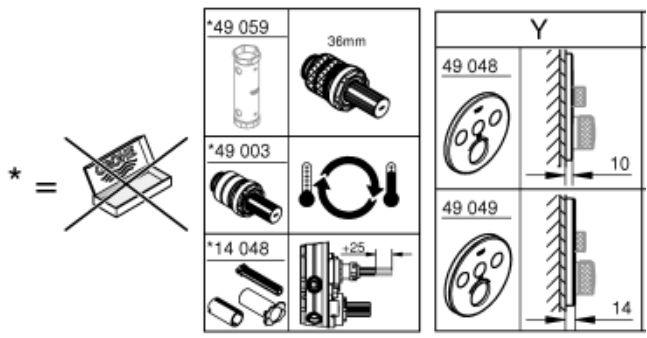
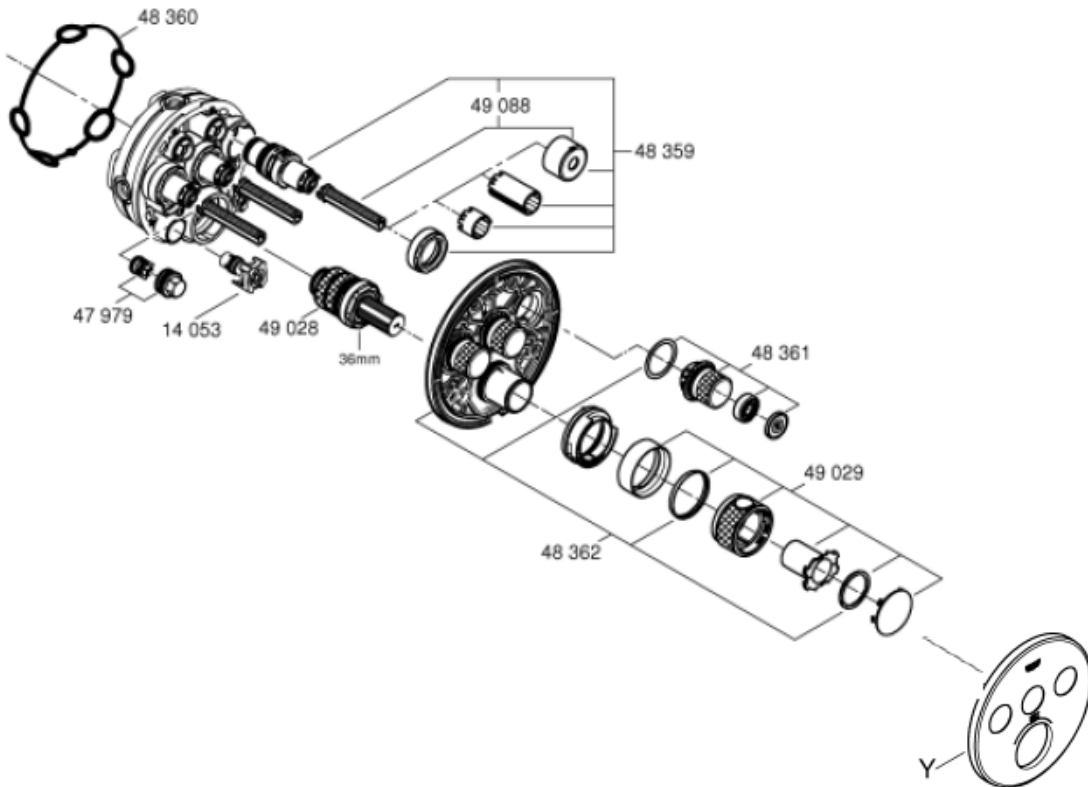


Servicing Instructions



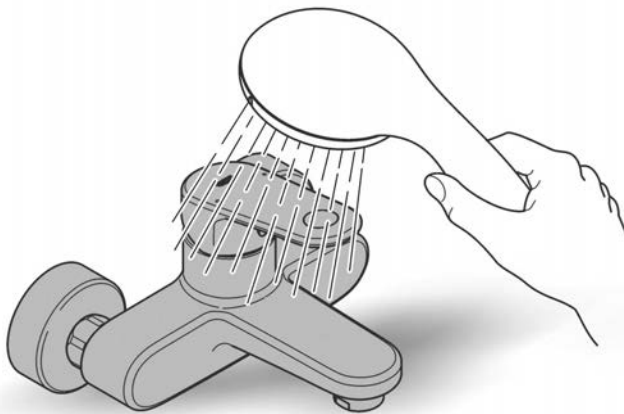
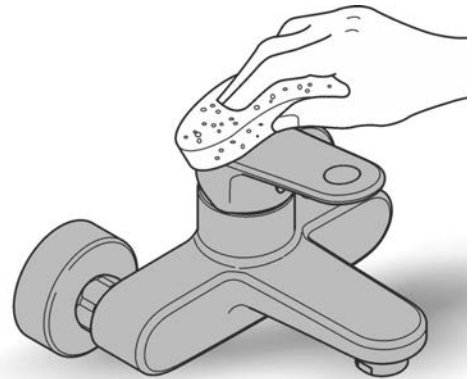
GROTHERM SMARTCONTROL
 3 BUTTON CONTROL THERMOSTATIC MIXING VALVE
 MODEL #29138GN0

Pure Freude
 an Wasser

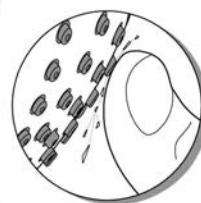




48166000



SpeedClean



Pure Freude
an Wasser

GROHE


D

+49 571 3989 333
impressum@grohe.de

A

+43 1 68060
info-at@grohe.com

AUS

+1300 054 945
grohe_australia@lixil.com

B

+32 16 230660
info.be@grohe.com

BG

+359 2 9719959
grohe-bulgaria@grohe.com

CAU

+99 412 497 09 74
info-az@grohe.com

CDN

+1 888 6447643
info@grohe.ca

CH

+41 448777300
info@grohe.ch

CN

+86 21 63758878

CY

+357 22 465200
info@grome.com

CZ

+420 277 004 190
grohe-cz@grohe.com

DK

+45 44 656800
grohe@grohe.dk

E

+34 93 3368850
grohe@grohe.es

EST

+372 6616354
grohe@grohe.ee

F

+33 1 49972900
marketing-fr@grohe.com

FIN

+358 10 8201100
teknocalor@teknocalor.fi

GB

+44 871 200 3414
info-uk@grohe.com

GR

+30 210 2712908
nsapountzis@ath.forthnet.gr

H

+36 1 2388045
info-hu@grohe.com

HK

+852 2969 7067
info@grohe.hk

I

+39 2 959401
info-it@grohe.com

IND

+91 124 4933000
customercare.in@grohe.com

IS

+354 515 4000
jonst@byko.is

J

+81 3 32989730
info@grohe.co.jp

KZ

+7 727 311 07 39
info-cac@grohe.com

LT

+372 6616354
grohe@grohe.ee

LV

+372 6616354
grohe@grohe.ee

MAL

+1 800 80 6570
info-singapore@grohe.com

N

+47 22 072070
grohe@grohe.no

NL

+31 79 3680133
vragen-nl@grohe.com

NZ

+09 415 6000
sales@monacocorp.co.nz

P

+351 234 529620
commercial-pt@grohe.com

PL

+48 22 5432640
biuro@grohe.com.pl

RI

+62 21 2358 4751
info-singapore@grohe.com

RO

+40 21 2125050
info-ro@grohe.com

ROK

+82 2 559 0790
info-singapore@grohe.com

RP

+63 2 8041617

RUS

+7 495 9819510
info@grohe.ru

S

+46 771 141314
grohe@grohe.se

SGP

+65 6 7385585
info-singapore@grohe.com

SK

+420 277 004 190
grohe-cz@grohe.com

T

+66 2610 3685
info-singapore@grohe.com

TR

+90 216 441 23 70
GroheTurkey@grome.com

UA

+38 44 5375273
info-ua@grohe.com

USA

+1 800 4447643
us-customerservice@grohe.com

VN

+84 8 5413 6840
info-singapore@grohe.com

AL **BIH** **HR** **KS**

ME **MK** **SLO** **SRB**

+385 1 2911470
adria-hr@grohe.com

**Eastern Mediterranean,
Middle East - Africa
Area Sales Office:**

+357 22 465200
info@grome.com

IR **OM** **UAE** **YEM**

+971 4 3318070
grohedubai@grome.com

Far East Area Sales Office:

+65 6311 3600
info@grohe.com.sg